

PCN Number:	20160920005A	PCN Date:	Oct. 31, 2016
Title:	Carrier Tape Change for Select devices in the 20L SOP Package		
Customer Contact:	PCN Manager	Dept:	Quality Services
Proposed 1st Ship Date:	Dec. 29, 2016		
Change Type:	<input type="checkbox"/> Assembly Site <input type="checkbox"/> Assembly Process <input type="checkbox"/> Assembly Materials <input type="checkbox"/> Design <input type="checkbox"/> Electrical Specification <input type="checkbox"/> Mechanical Specification <input type="checkbox"/> Test Site <input checked="" type="checkbox"/> Packing/Shipping/Labeling <input type="checkbox"/> Test Process <input type="checkbox"/> Wafer Bump Site <input type="checkbox"/> Wafer Bump Material <input type="checkbox"/> Wafer Bump Process <input type="checkbox"/> Wafer Fab Site <input type="checkbox"/> Wafer Fab Materials <input type="checkbox"/> Wafer Fab Process <input type="checkbox"/> Part number change		

PCN Details

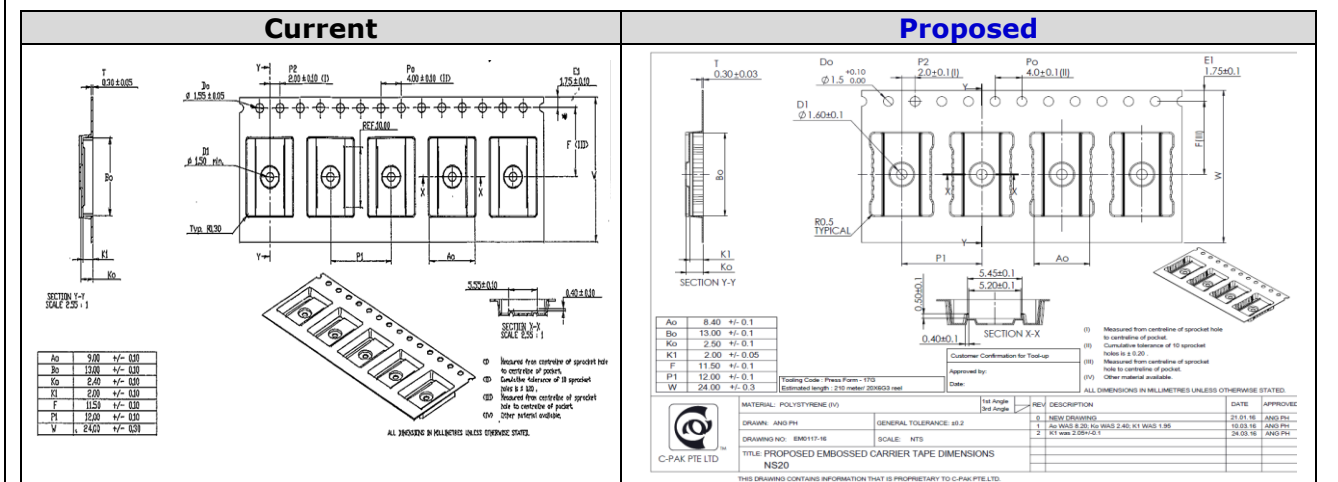
Description of Change:

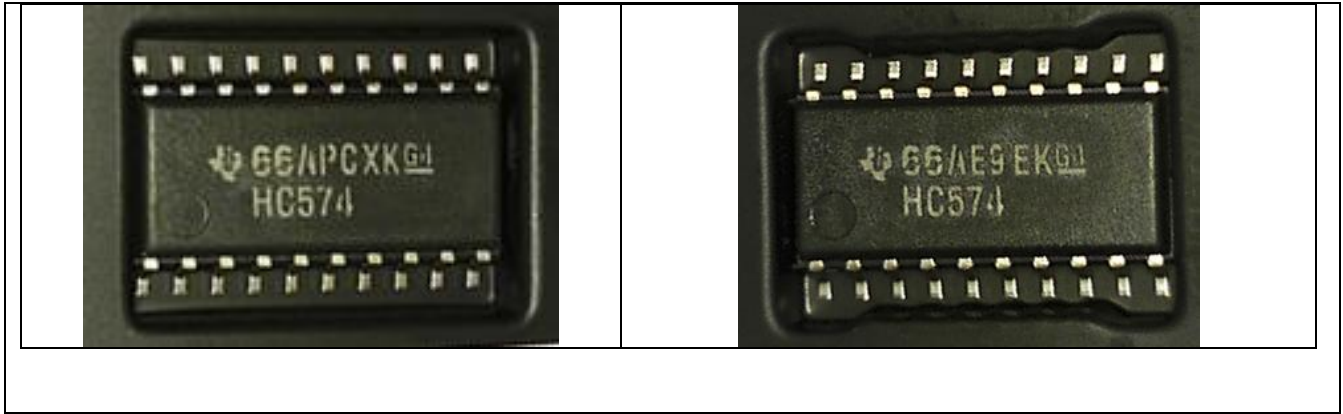
Revision A is to announce the retraction of select devices. These devices will continue to be manufactured as prior and will not be subjected to the change described in this notification. Affected devices are identified with a **strikethrough** and are highlighted in yellow in the Product Affected Section.

Texas Instruments is pleased to announce the qualification of a new carrier tape for select devices in the 20L SOP package. The material composition, supplier, and color between the 2 carrier tapes are the same. A dimensional comparison summary is below:

Dimension	From	To
Ao	9.00 (+/- 0.1) mm	8.40 (+/- 0.1) mm
Bo	13.00 (+/- 0.1) mm	13.00 (+/- 0.1) mm
Ko	2.40 (+/- 0.1) mm	2.50 (+/- 0.1) mm
K1	2.00 (+/- 0.05) mm	2.00 (+/- 0.05) mm
F	11.50 (+/- 0.1) mm	11.50 (+/- 0.1) mm
P1	12.00 (+/- 0.1) mm	12.00 (+/- 0.1) mm
W	24.00 (+/- 0.3) mm	24.00 (+/- 0.3) mm

Carrier tape Dimensions :





Reason for Change:			
Pocket Optimization			
Anticipated impact on Fit, Form, Function, Quality or Reliability (positive / negative):			
None			
Changes to product identification resulting from this PCN:			
New Carrier Tape			
Product Affected:			
CD74HC688NS	SN74AHCT540NSRE4	SN74F245NS	SN74LS377NSR
CD74HC688NSR	SN74AHCT541NS	SN74F245NSR	SN74LS540NS
CD74HC688NSR	SN74AHCT541NS-P	SN74F299NS	SN74LS540NSE4
CD74HC688NSR	SN74AHCT541NSR	SN74F373NS	SN74LS540NSR
CD74HC688NSR	SN74AHCT574NSR	SN74F373NSR	SN74LS541NS
CD74HC688NSRG4	SN74AHCT574NSRG4	SN74F374NS	SN74LS541NSR
CD74HC688NSR	SN74ALS240A-1NS	SN74F374NSR	SN74LS541NSRG4
CD74HC688NSR	SN74ALS240A-1NSR	SN74F521NS	SN74LS640-1NS
CLVTH273MNSREPG4	SN74ALS240ANS	SN74F521NSR	SN74LS640-1NSR
SN64BCT244NS	SN74ALS240ANSR	SN74F541NS	SN74LS640NS
SN64BCT244NSR	SN74ALS241CNS	SN74F541NSR	SN74LS640NSR
SN65ALS541NS	SN74ALS244C-1NS	SN74F574NSR	SN74LS641NS
SN65ALS541NSR	SN74ALS244C-1NSR	SN74HG240ANS	SN74LS641NSR
SN65ALS541NSRG4	SN74ALS244C-1NSRG4	SN74HC240ANSR	SN74LS642NS
SN65ALS543NSR	SN74ALS244CNS	SN74HG240NS	SN74LS642NSG4
SN65ALS544NSR	SN74ALS244CNSR	SN74HC240NSR	SN74LS642NSR
SN65ALS544NSRG4	SN74ALS244CNSRG4	SN74HC240NSRE4	SN74LS645-1NS
SN74ABT2240ANSR	SN74ALS245A-1NS	SN74HC241ANSR	SN74LS645-1NSR
SN74ABT2244ANS	SN74ALS245A-1NSR	SN74HC241NS	SN74LS645NS
SN74ABT2244ANSR	SN74ALS245ANS	SN74HG241NSE4	SN74LS645NSR
SN74ABT2244ANSRE4	SN74ALS245ANSR	SN74HC241NSR	SN74LS682NS
SN74ABT2245NS	SN74ALS245ANSRG4	SN74HG244ANS	SN74LS682NSR

SN74ABT240ANS	SN74ALS273NS	SN74HC244ANSR	SN74LS684NSR
SN74ABT240ANSR	SN74ALS273NSR	SN74HC244ANSRG4	SN74LS688NS
SN74ABT241ANS	SN74ALS299NS	SN74HC244NS	SN74LS688NSR
SN74ABT244ANS	SN74ALS373ANS	SN74HC244ANSR	SN74LV240ANS
SN74ABT244ANSR	SN74ALS373ANSR	SN74HC244ANSRG4	SN74LV240ANSR
SN74ABT244ANSRG4	SN74ALS373ANSRG4	SN74HC245ANS	SN74LV244ANS
SN74ABT245BNS	SN74ALS374ANS	SN74HC245ANSR	SN74LV244ANSR
SN74ABT245BNSR	SN74ALS374ANSR	SN74HC245NS	SN74LV244ATNSR
SN74ABT273NS	SN74ALS520NS	SN74HC245NSR	SN74LV245ANS
SN74ABT273NSR	SN74ALS520NSR	SN74HC245NSRE4	SN74LV245ANSR
SN74ABT373NS	SN74ALS521NSR	SN74HC273ANS	SN74LV245ANSRG4
SN74ABT373NSR	SN74ALS533ANSR	SN74HC273ANSR	SN74LV245ATNSR
SN74ABT373NSRE4	SN74ALS534ANS	SN74HC273NS	SN74LV273ANS
SN74ABT373NSRG4	SN74ALS534ANSR	SN74HC273NS-P	SN74LV273ANSR
SN74ABT374ANS	SN74ALS540-1NS	SN74HC273NSR	SN74LV373ANSR
SN74ABT374ANSR	SN74ALS540-1NSR	SN74HC273NSRG4	SN74LV373ATNSR
SN74ABT377ANS	SN74ALS540NS	SN74HC373ANSR	SN74LV374ANS
SN74ABT377ANSR	SN74ALS540NSR	SN74HC373NS	SN74LV374ANSR
SN74ABT534ANS	SN74ALS540NSRG4	SN74HC373NSR	SN74LV374ANSRE4
SN74ABT540NS	SN74ALS541-1NS	SN74HC373NSRE4	SN74LV374ATNSR
SN74ABT540NSR	SN74ALS541-1NSR	SN74HC374ANS	SN74LV540ANS
SN74ABT541BNS	SN74ALS541-1NSRE4	SN74HC374ANSR	SN74LV540ANSR
SN74ABT541BNSR	SN74ALS541NS	SN74HC374NS	SN74LV540ANSRE4
SN74ABT541BNSRG4	SN74ALS541NSR	SN74HC374NSR	SN74LV541ANS
SN74ABT574ANS	SN74ALS541NSRE4	SN74HC377ANS	SN74LV541ANSR
SN74ABT574ANSR	SN74ALS541NSRG4	SN74HC377ANSR	SN74LV541ANSRG4
SN74ABT574ANSRG4	SN74ALS563BNSR	SN74HC377NSR	SN74LV541ATNSR
SN74ABT620NSR	SN74ALS563BNSRG4	SN74HC540ANS	SN74LV573ANS
SN74ABT623NS	SN74ALS564BNS	SN74HC540ANSR	SN74LV573ANSR
SN74ABT640NS	SN74ALS564BNSG4	SN74HC540NS	SN74LV574ANS
SN74ABT640NSR	SN74ALS564BNSR	SN74HC540NSR	SN74LV574ANSR
SN74AC240NS	SN74ALS573CNS	SN74HC540NSRG4	SN74LVC2244ANS
SN74AC240NSR	SN74ALS573CNSR	SN74HC541ANS	SN74LVC2244ANSR
SN74AC241NSR	SN74ALS573CNSRE4	SN74HC541ANSR	SN74LVC2244ANSRG4
SN74AC244MNSREP	SN74ALS574BNS	SN74HC541NS	SN74LVC240ANS
SN74AC244NS	SN74ALS574BNSR	SN74HC541NSR	SN74LVC240ANSR
SN74AC244NSR	SN74ALS576BNS	SN74HC563NS	SN74LVC240ANSRG4
SN74AC245NS	SN74ALS576BNSR	SN74HC563NSR	SN74LVC244ANS
SN74AC245NSR	SN74ALS620ANS	SN74HC573BNS	SN74LVC244ANSR
SN74AC245NSRG4	SN74ALS620ANSR	SN74HC573NS	SN74LVC244ANSRE4
SN74AC373NS	SN74ALS623ANS	SN74HC573NSR	SN74LVC245ANS
SN74AC373NSR	SN74ALS623ANSR	SN74HC574ANS	SN74LVC245ANSR
SN74AC374NS	SN74ALS638ANS	SN74HC574ANSR	SN74LVC245ANSRG4

SN74AC374NSR	SN74ALS640B-1NS	SN74HC574NS	SN74LVC373ANS
SN74AC374NSRE4	SN74ALS640B-1NSR	SN74HC574NSR	SN74LVC373ANSR
SN74AC534NS	SN74ALS640BNS	SN74HC623NS	SN74LVC373ANSRG4
SN74AC534NSR	SN74ALS640BNSR	SN74HC623NSR	SN74LVC374ANS
SN74AC563NS	SN74ALS640BNSRG4	SN74HC640ANSR	SN74LVC374ANSR
SN74AC563NSE4	SN74ALS641A-1NS	SN74HC640NS	SN74LVC374ANSRG4
SN74AC573NS	SN74ALS641A-1NSR	SN74HC640NSR	SN74LVC540ANS
SN74AC573NSR	SN74ALS641ANS	SN74HC645ANS	SN74LVC540ANSR
SN74ACT1073NS	SN74ALS641ANSR	SN74HC645NS	SN74LVC540ANSRG4
SN74ACT1073NSR	SN74ALS642A-1NS	SN74HCT240ANS	SN74LVC541ANS
SN74ACT1284NSR	SN74ALS642A-1NSR	SN74HCT240ANSR	SN74LVC541ANSR
SN74ACT240NS	SN74ALS645A-1NS	SN74HCT240NS	SN74LVC573ANS
SN74ACT240NSR	SN74ALS645A-1NSR	SN74HCT240NSR	SN74LVC573ANSR
SN74ACT241NS	SN74ALS645ANS	SN74HCT244ANS	SN74LVC573ANSRE4
SN74ACT241NSR	SN74ALS645ANSR	SN74HCT244ANSR	SN74LVC574ANS
SN74ACT241NSRG4	SN74ALS688NS	SN74HCT244NS	SN74LVC574ANSR
SN74ACT244MNSREP	SN74ALS688NSE4	SN74HCT244NSR	SN74LVC574ANSRE4
SN74ACT244NS	SN74ALS688NSR	SN74HCT244NSRG4	SN74LVC574ANSRG4
SN74ACT244NSR	SN74ALVC244NS	SN74HCT245ANS	SN74LVCH244ANS
SN74ACT244NSRG4	SN74ALVC244NSR	SN74HCT245ANSR	SN74LVCH244ANSR
SN74ACT245NS	SN74ALVC244NSRE4	SN74HCT245NS	SN74LVCH244ANSRG4
SN74ACT245NSR	SN74ALVC245NS	SN74HCT245NSR	SN74LVCH245ANSR
SN74ACT373NS	SN74ALVC245NSR	SN74HCT245NSRG4	SN74LVCR2245ANSR
SN74ACT373NSR	SN74AS240ANS	SN74HCT273ANS	SN74LVC2240ANSR
SN74ACT374NS	SN74AS240ANSR	SN74HCT273ANSR	SN74LVC2244ANSR
SN74ACT374NSR	SN74AS241ANS	SN74HCT273NS	SN74LVCZ245ANS
SN74ACT533NS	SN74AS244ANS	SN74HCT273NSR	SN74LVC2245ANSR
SN74ACT534NS	SN74AS244ANSR	SN74HCT373ANSR	SN74LVT240ANSR
SN74ACT534NSR	SN74AS245NS	SN74HCT373NSR	SN74LVT244BNS
SN74ACT564NS	SN74AS245NSR	SN74HCT374ANSR	SN74LVT244BNSR
SN74ACT564NSR	SN74AS373NS	SN74HCT374NS	SN74LVT245BNS
SN74ACT573NS	SN74AS373NSR	SN74HCT374NSR	SN74LVT245BNSR
SN74ACT573NSR	SN74AS640NSR	SN74HCT374NSRG4	SN74LVTH240NS
SN74ACT573NSRE4	SN74AS760NS	SN74HCT541ANS	SN74LVTH240NSR
SN74ACT574NS	SN74AS760NSE4	SN74HCT541ANSR	SN74LVTH244ANS
SN74ACT574NSR	SN74AS760NSR	SN74HCT541NS	SN74LVTH244ANSR
SN74ACT574NSRE4	SN74BCT2244NS	SN74HCT541NSR	SN74LVTH244ANSRG4
SN74AHC240NSR	SN74BCT2245NS	SN74HCT541NSRE4	SN74LVTH245ANS
SN74AHC244NS	SN74BCT2245NSR	SN74HCT541NSRG4	SN74LVTH245ANSR
SN74AHC244NSR	SN74BCT240NS	SN74HCT573NS	SN74LVTH245ANSRG4
SN74AHC245NSR	SN74BCT240NSR	SN74HCT573NSR	SN74LVTH273MNSREP
SN74AHC273NS	SN74BCT244NS	SN74HCT573NSRE4	SN74LVTH273NS
SN74AHC273NSR	SN74BCT244NSR	SN74HCT574ANS	SN74LVTH273NSR

SN74AHC373NS	SN74BCT245NS	SN74HCT574NS	SN74LVTH373NSR
SN74AHC373NSR	SN74BCT245NSR	SN74HCT574NSR	SN74LVTH374NS
SN74AHC374NS	SN74BCT374NSR	SN74LS240NS	SN74LVTH374NSR
SN74AHC374NSR	SN74BCT540ANS	SN74LS240NSR	SN74LVTH540NS
SN74AHC540NS	SN74BCT540ANSR	SN74LS241NS	SN74LVTH541NS
SN74AHC541NS	SN74BCT541ANS	SN74LS241NSR	SN74LVTH541NSR
SN74AHC541NSR	SN74BCT541ANSR	SN74LS244NS	SN74LVTH573NS
SN74AHC573NSR	SN74BCT573NS	SN74LS244NSR	SN74LVTH573NSR
SN74AHC574NS	SN74BCT574NS	SN74LS244NSRG4	SN74LVTH574NS
SN74AHC574NSR	SN74BCT640NS	SN74LS245NS	SN74LVTH574NSR
SN74AHCT240NSR	SN74BCT640NSR	SN74LS245NSR	SN74S1052NS
SN74AHCT240NSRE4	SN74BCT757NS	SN74LS245NSRE4	SN74S1053NS
SN74AHCT244NS	SN74BCT760NS	SN74LS273NS	SN74S1053NSR
SN74AHCT244NSR	SN74F240NS	SN74LS273NSR	SN751730NS
SN74AHCT245NS	SN74F240NSR	SN74LS373NS	TLC7528CNS
SN74AHCT245NSR	SN74F241NS	SN74LS373NSR	TLC7528CNSR
SN74AHCT273NS	SN74F241NSR	SN74LS374NS	TPS61199NSR
SN74AHCT273NSR	SN74F244NS	SN74LS374NSR	V62/04620-01YE
SN74AHCT373NSR	SN74F244NSR	SN74LS374NSRG4	V62/04622-01YE
SN74AHCT540NSR	SN74F244NSRE4	SN74LS377NS	V62/04674-02YE



Lead Package Carrier Tape Qualification Summary

Reference (QSS 003-008, 009-006, 014-102, 007-102)

Supplier:	C-PAK
Vendor Part No:	NA
TI Part No:	NQMM: 4212589-0041 (If available)
Weight/meter (g):	NA
Material:	POLYSTYRENE
Package Description	SOP 20 (yes/no)
Package Designator:	NS 20
Result:	PASS
Date:	22/7/2016

Page 1

I. First Article Inspection Test	PASS	(Pass/Fail)
II. Manufacturability Test	PASS	
III. Dimensional Test	PASS	
IV. Camber Test	PASS	
V. Surface Resistivity Test	PASS	
VI. Fit Analysis	PASS	
VII. Drop Test	PASS	

For questions regarding this notice, e-mails can be sent to the regional contacts shown below or your local Field Sales Representative.

Location	E-Mail
USA	PCNAmericasContact@list.ti.com
Europe	PCNEuropeContact@list.ti.com
Asia Pacific	PCNAsiaContact@list.ti.com
Japan	PCNJapanContact@list.ti.com