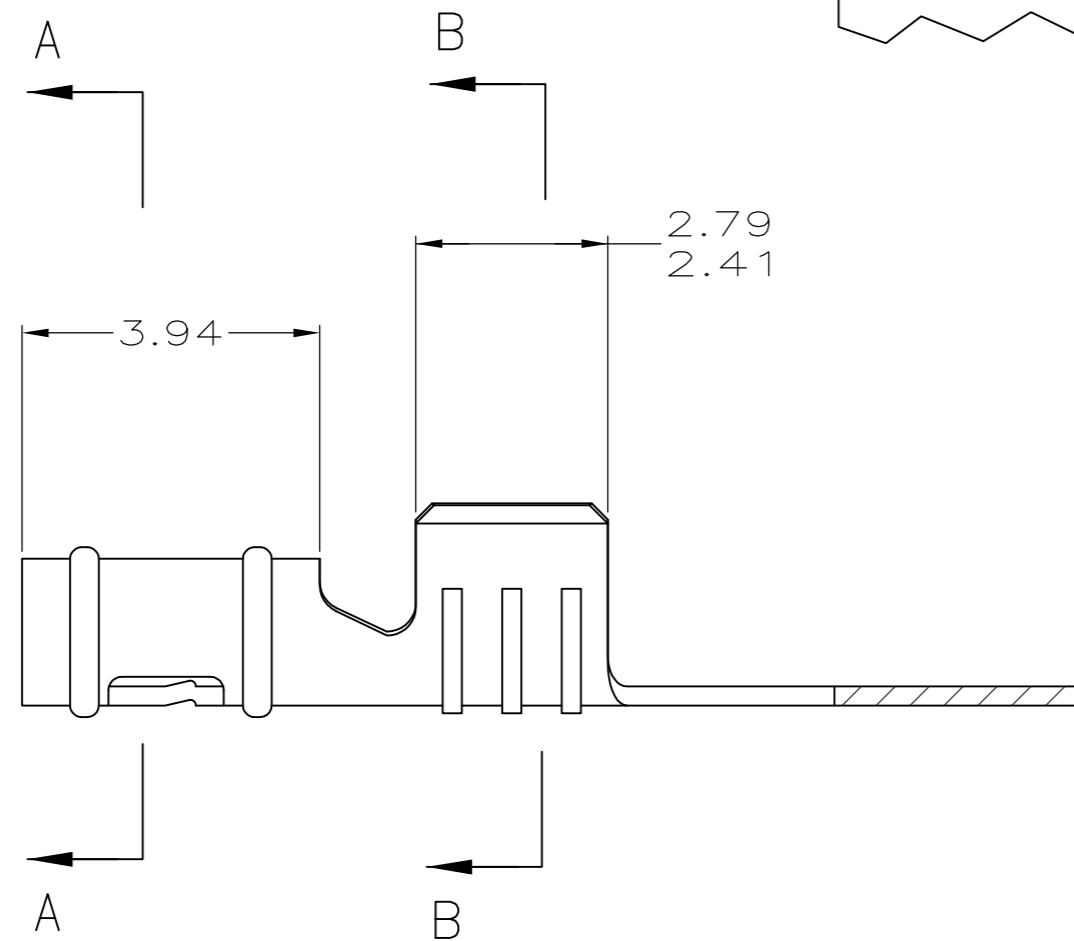
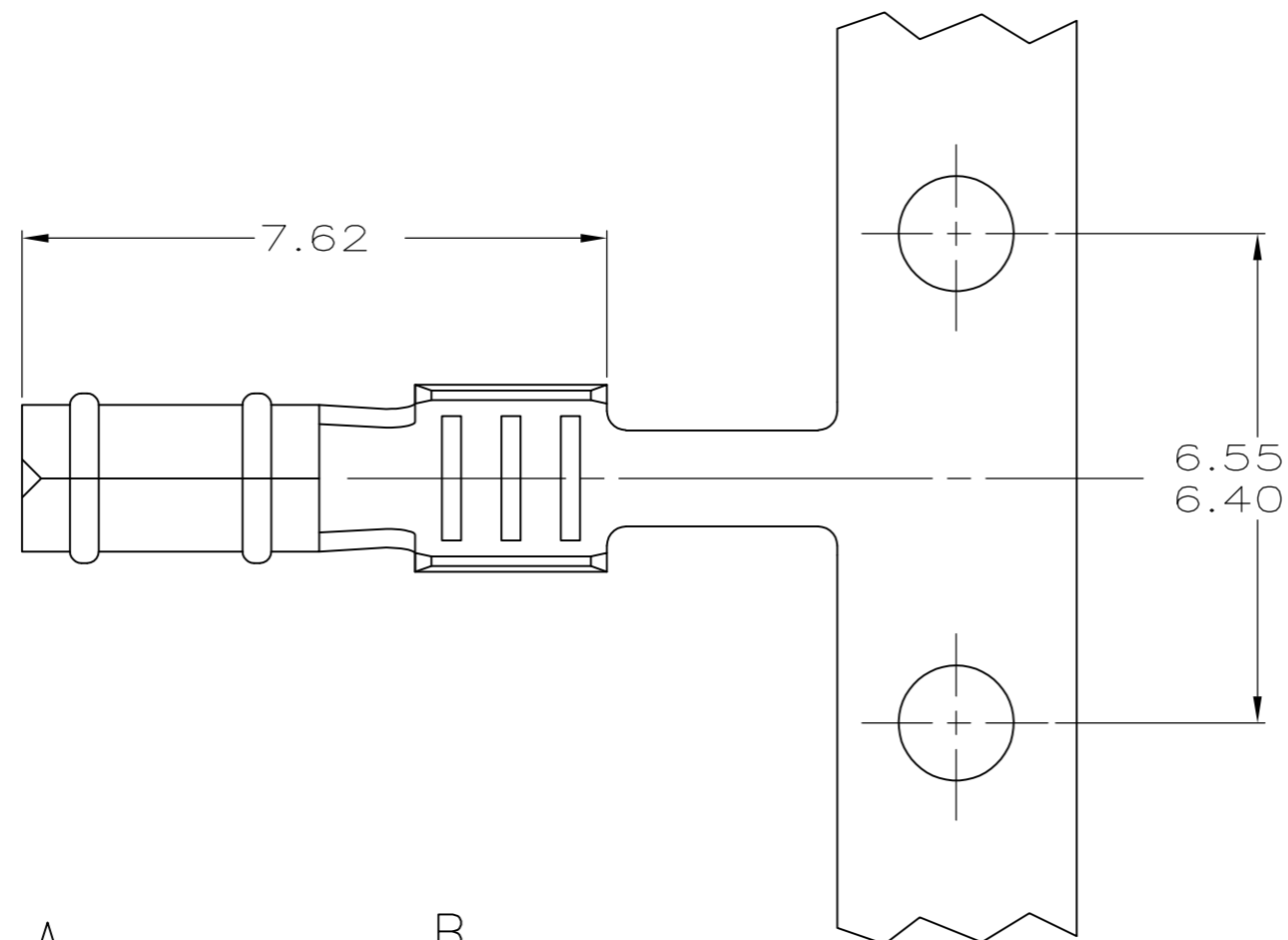


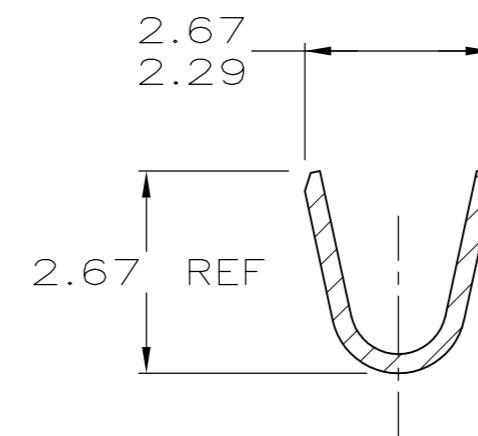
THIS DRAWING IS UNPUBLISHED. RELEASED FOR PUBLICATION
 © COPYRIGHT - By - ALL RIGHTS RESERVED.

LOC	DIST	REVISIONS					
CM	0	P	LTR	DESCRIPTION	DATE	DWN	APVD
		E1		REVISED PER ECO-15-016302	14NOV2015	NK	DR

- 1 TIN PLATING OVER ALL.
- 2 WIRE RANGE: 0.3 - 1 MM² (22-17 AWG)
- 3 GOLD OVER NICKEL UNDERPLATE ALL OVER.



SECTION A-A



SECTION B-B

OBSOLETE	3	0.25 BE CU	640259-2
	1	0.25 BE CU	640259-1
	FINISH	MATERIAL	PART NUMBER

0.13	.005	1.486	.0585	2.79	.110	7.62	.300
0.00203	.000080	1.47	.058	2.67	.105	6.55	.258
0.00127	.000050	1.359	.0535	2.41	.095	6.40	.252
0.00038	.000015	0.25	.010	2.29	.090	3.94	.155
MM	IN	MM	IN	MM	IN	MM	IN

CONVERSION TABLE

THIS DRAWING IS A CONTROLLED DOCUMENT.		DWN	T. BECK	6-10-97	 TE Connectivity		
DIMENSIONS: mm		CHK	R. SWING	6-10-97			
TOLERANCES UNLESS OTHERWISE SPECIFIED:		APVD	A. BEDDICK	6-17-97			
0 PLC ± - 1 PLC ± - 2 PLC ± 0.13 3 PLC ± - 4 PLC ± - ANGLES ± -		PRODUCT SPEC	108-1025	NAME		RECEPTACLE, .058 DIAMETER, 22-17 AWG, P.C. CONTACT	
MATERIAL SEE TABLE		FINISH	SEE TABLE	114-1008	APPLICATION SPEC		
		WEIGHT	-		SIZE	A2	
		CUSTOMER DRAWING		SCALE	10:1	SHEET	1 OF 1
				REV	E1		