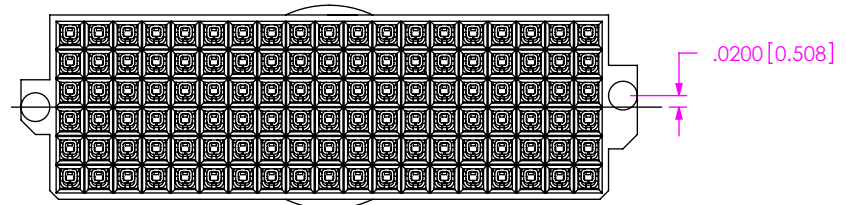
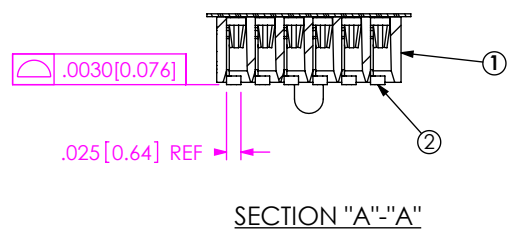
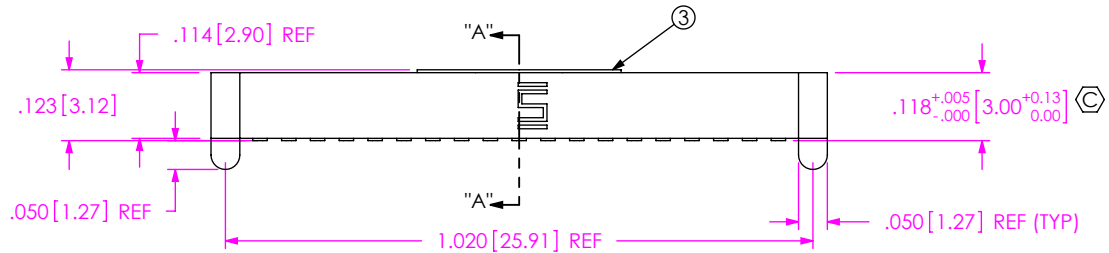
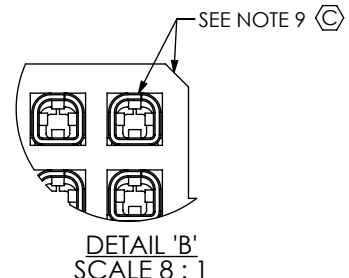
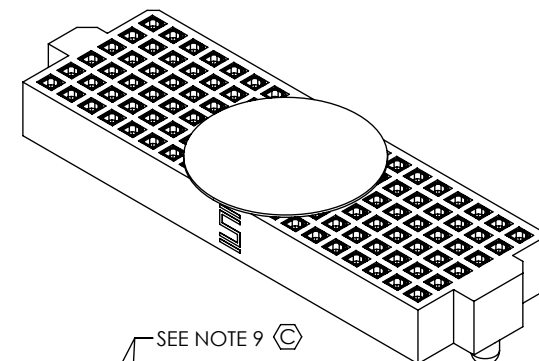
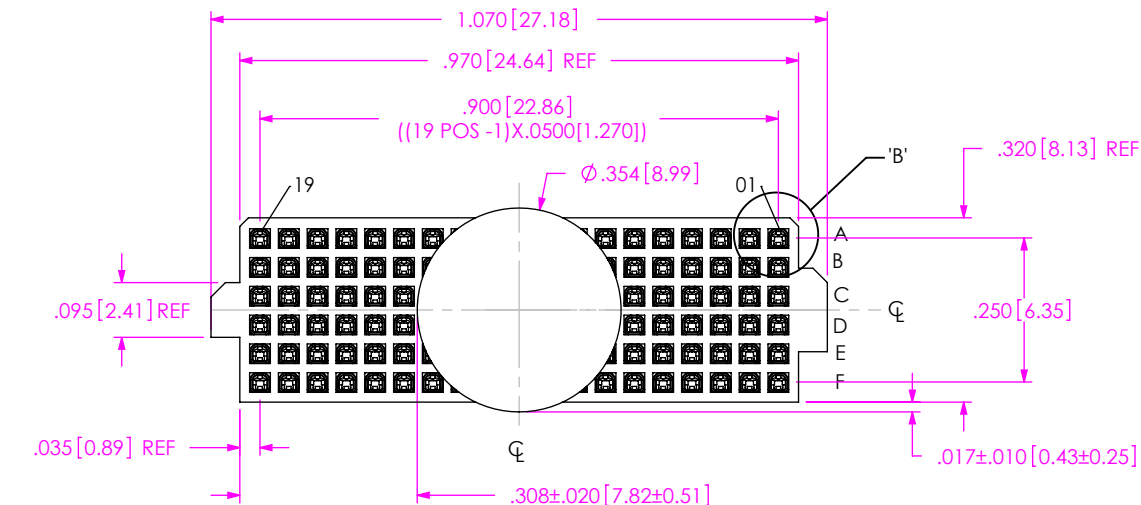


DO NOT SCALE FROM THIS PRINT

- NOTES:
1. ASP-105990-01-B NOT AVAILABLE AS STANDARD.
 2. $\text{\textcircled{C}}$ REPRESENTS A CRITICAL DIMENSION.
 3. NOTE DELETED.
 4. MAXIMUM BURR ALLOWANCE: .0015[0.038]
 5. MINIMUM PUSHOUT FORCE: .5 LB [2.22 N]
 6. MAXIMUM ALLOWABLE BOW: .002 [0.051] INCH/INCH AFTER ASSEMBLY.
 7. CONTACT NOT ALLOWED TO PROTRUDE FROM TOP OF BODY.
 8. PARTS TO BE PACKAGED IN TAPE & REEL. FOR QTY'S LESS THAN 125 PCS, NO TRAILER OR LEADER WILL BE SUPPLIED.
 9. OPEN SIDE OF CONTACTS ARE ALL TO FACE IN THE SAME DIRECTION AND TOWARDS THE NOTCHED SIDE OF THE INSULATOR.
 10. FLASH IN THE CORE NOT TO EXTEND PAST THE INNER EDGE OF THE CONTACT BARREL.

THIS CONNECTOR IS NOT CAPABLE OF WITHSTANDING TYPICAL LEAD FREE PROCESSING TEMPERATURES.

ANY REV MADE TO THIS PRINT MUST HAVE AN UPDATED MKT PRINT



ITEM NO.	PART NUMBER	QUANTITY	MATERIAL
1	ASP-105990-01-B	1.0000	VECTRA E130i, COLOR BLACK
2	C-118-01-H	114.00	BeCu #25, 1/2 HARD, AGE HARDENED
3	K-850-650	1.0000	POLYIMIDE FILM
4	CT-ASP1233MS	1.0000	CONDUCTIVE POLYMER

UNLESS OTHERWISE SPECIFIED, DIMENSIONS ARE IN INCHES.

TOLERANCES ARE:
 DECIMALS ANGLES
 .XX: ±.01[0.3] 2°
 .XXX: ±.005[0.13]
 .XXXX: ±.0020[0.051]

PROPRIETARY NOTE
 THIS DOCUMENT CONTAINS CONFIDENTIAL AND PROPRIETARY INFORMATION AND ALL DESIGN, MANUFACTURING, REPRODUCTION, USE, PATENT RIGHTS AND SALES RIGHTS ARE EXPRESSLY RESERVED BY SAMTEC, INC. THIS DOCUMENT SHALL NOT BE DISCLOSED, IN WHOLE OR PART, TO ANY UNAUTHORIZED PERSON OR ENTITY NOR REPRODUCED, TRANSFERRED OR INCORPORATED IN ANY OTHER PROJECT IN ANY MANNER WITHOUT THE EXPRESS WRITTEN CONSENT OF SAMTEC, INC.

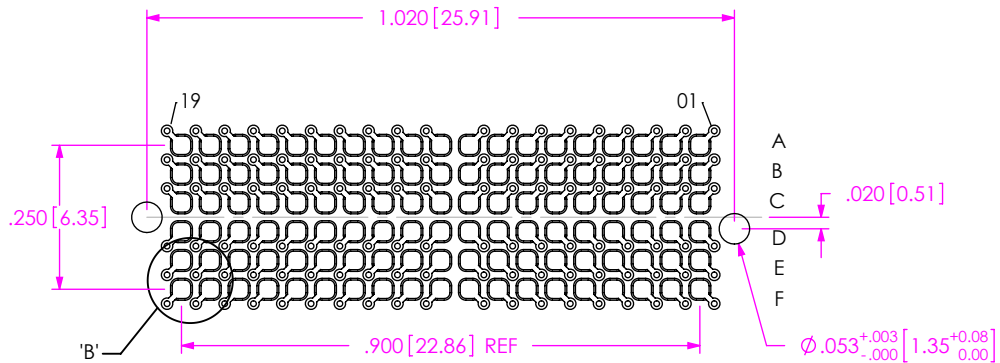
DO NOT SCALE DRAWING SHEET SCALE: 3:1

PLATING:
 CONTACT AREA: .000030 GOLD OVER .000050 NICKEL
 REMAINDER: .000003 FLASH GOLD OVER .000050 NICKEL

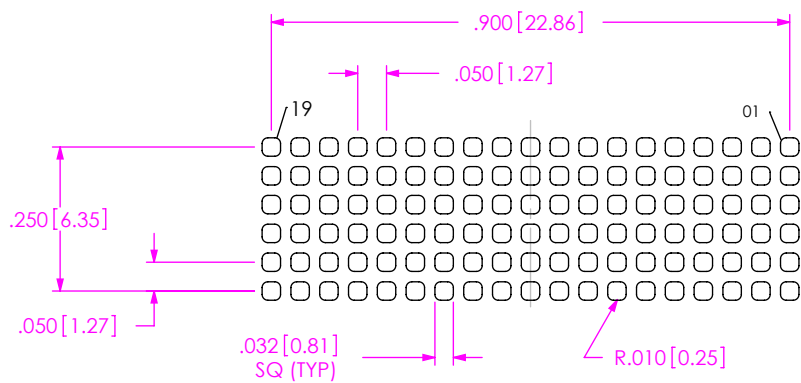
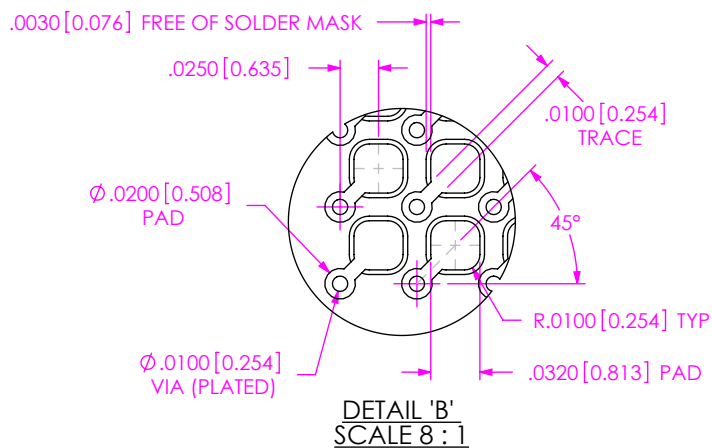
DESCRIPTION:
 VITA 42 (NO SOLDERBALL) SOCKET ASSEMBLY
 DWG. NO. ASP-105884-01
 BY: T.WERNE 4/8/2003 SHEET 1 OF 2

samtec
 520 PARK EAST BLVD, NEW ALBANY, IN 47150
 PHONE: 812-944-6733 FAX: 812-948-5047
 e-Mail: info@SAMTEC.com code: 55322

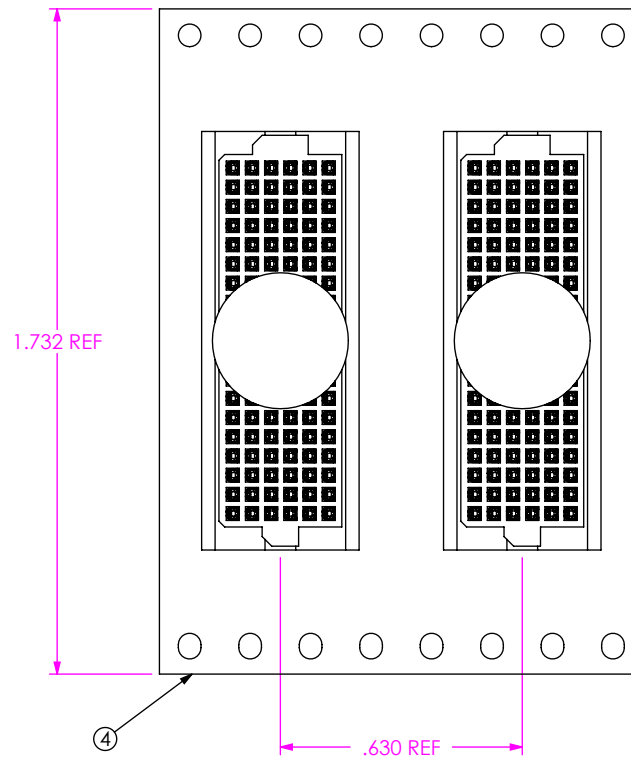
c:\enterprise\vauf\DWG\MISC\MKTG\ASP-105884-01-MKT.SLDDRW



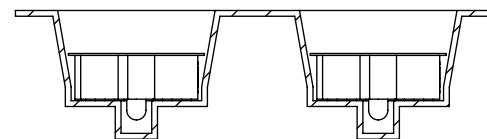
RECOMMENDED BOARD LAYOUT



RECOMMENDED STENCIL LAYOUT
 STENCIL TO BE .0060 [0.152] THICK



USER DIRECTION OF UN-REELING
 POCKET NOT DETAILED



PACKAGING VIEW
 SCALE: 2:1

PROPRIETARY NOTE

THIS DOCUMENT CONTAINS CONFIDENTIAL AND PROPRIETARY INFORMATION AND ALL DESIGN, MANUFACTURING, REPRODUCTION, USE, PATENT RIGHTS AND SALES RIGHTS ARE EXPRESSLY RESERVED BY SAMTEC, INC. THIS DOCUMENT SHALL NOT BE DISCLOSED, IN WHOLE OR PART, TO ANY UNAUTHORIZED PERSON OR ENTITY NOR REPRODUCED, TRANSFERRED OR INCORPORATED IN ANY OTHER PROJECT IN ANY MANNER WITHOUT THE EXPRESS WRITTEN CONSENT OF SAMTEC, INC.

SHEET SCALE: 3:1



520 PARK EAST BLVD, NEW ALBANY, IN 47150
 PHONE: 812-944-6733 FAX: 812-948-5047
 e-Mail: info@SAMTEC.com code: 55322

DESCRIPTION:
 VITA 42 (NO SOLDERBALL) SOCKET ASSEMBLY

DWG. NO. ASP-105884-01

BY: J.WERNE 4/8/2003 SHEET 2 OF 2