



# Product Change Notification

## TE Connectivity

Product Change Notification: P-22-023825

PCN Date: 28-DEC-22

TE would like to inform you of the following change(s) to the listed TE Connectivity Product. In case of any further questions about this change(s), please contact your TE Connectivity Sales Engineer. Affected part, drawing and/or specification numbers are listed on the attached sheet(s).

**General Product Description:**  
MULTIGIG RT2 and RT2-R Daughter connectors

**Description of Changes**  
Increase the width of the wafer slots on the housing(Shroud) by 0.09mm in order to reduce the risk of FOD (Foreign Object Debris) that can be generated by insertion of the PWB wafers during parts assembly  
**Other attachments:**  
[MULTIGIG Shroud Full size](#)

**Reason for Changes:**  
Product improvement.Manufacturing requested.

**Estimated Dates:**

<b>Last Order Date</b> (Obsolete Parts Only):	<b>First Date To Ship</b> (Changed Parts Only):
	31-MAR-2023
<b>Last Ship Date</b> (Obsolete Parts Only):	<b>Last Date for Mixed Shipments:</b> (Changed Parts Only):
	30-APR-2023

**Part Number(s) being Modified:**

Part Number	Part Discontinued per PCN	Customer Drawing	Customer Part Number	Alias Part Number(s)	Substitute Part Number	Substitute Alias Part Number(s)	Description Of Difference
<a href="#">1410147-1</a>	NO						
<a href="#">1410147-2</a>	NO						
<a href="#">1410187-1</a>	NO						
<a href="#">1410188-3</a>	NO						
<a href="#">1410190-4</a>	NO						
<a href="#">2102771-1</a>	NO						
<a href="#">2102771-2</a>	NO						
<a href="#">2102773-1</a>	NO						
<a href="#">2102774-1</a>	NO						
<a href="#">2102847-1</a>	NO						
<a href="#">2102870-1</a>	NO						
<a href="#">2286117-1</a>	NO						
<a href="#">2286119-1</a>	NO						
<a href="#">2286120-1</a>	NO						
<a href="#">2302317-1</a>	NO						
<a href="#">2302319-1</a>	NO						
<a href="#">2302320-1</a>	NO						
<a href="#">2302785-1</a>	NO						
<a href="#">2302794-1</a>	NO						
<a href="#">2302795-1</a>	NO						
<a href="#">2313237-1</a>	NO						
<a href="#">2345723-1</a>	NO						

**Part Number(s) being Modified:**

Part Number	Part Discontinued per PCN	Customer Drawing	Customer Part Number	Alias Part Number(s)	Substitute Part Number	Substitute Alias Part Number(s)	Description Of Difference
<a href="#">2102771-1</a>	NO						
<a href="#">2102847-1</a>	NO						
<a href="#">2286117-1</a>	NO						
<a href="#">2286119-1</a>	NO						
<a href="#">2286120-1</a>	NO						
<a href="#">2302317-1</a>	NO						
<a href="#">2302319-1</a>	NO						
<a href="#">2302320-1</a>	NO						
<a href="#">2302785-1</a>	NO						

Part Number(s) being Modified:

Part Number	Part Discontinued per PCN	Customer Drawing	Customer Part Number	Alias Part Number(s)	Substitute Part Number	Substitute Alias Part Number(s)	Description Of Difference
<a href="#">2102771-1</a>	NO						
<a href="#">2102771-2</a>	NO						
<a href="#">2102773-1</a>	NO						
<a href="#">2102774-1</a>	NO						
<a href="#">2102847-1</a>	NO						
<a href="#">2302317-1</a>	NO						
<a href="#">2302319-1</a>	NO						
<a href="#">2302320-1</a>	NO						
<a href="#">2302785-1</a>	NO						
<a href="#">2302795-1</a>	NO						
<a href="#">2313237-1</a>	NO						
<a href="#">2345723-1</a>	NO						

Part Number(s) being Modified:

Part Number	Part Discontinued per PCN	Customer Drawing	Customer Part Number	Alias Part Number(s)	Substitute Part Number	Substitute Alias Part Number(s)	Description Of Difference
<a href="#">2102771-1</a>	NO						
<a href="#">2102771-2</a>	NO						
<a href="#">2102773-1</a>	NO						
<a href="#">2102774-1</a>	NO						
<a href="#">2102847-1</a>	NO						
<a href="#">2302317-1</a>	NO						
<a href="#">2302319-1</a>	NO						
<a href="#">2302320-1</a>	NO						
<a href="#">2302785-1</a>	NO						
<a href="#">2302795-1</a>	NO						
<a href="#">2313237-1</a>	NO						
<a href="#">2345723-1</a>	NO						

Part Number(s) being Modified:

Part Number	Part Discontinued per PCN	Customer Drawing	Customer Part Number	Alias Part Number(s)	Substitute Part Number	Substitute Alias Part Number(s)	Description Of Difference
<a href="#">2102774-1</a>	NO						

Part Number(s) being Modified:

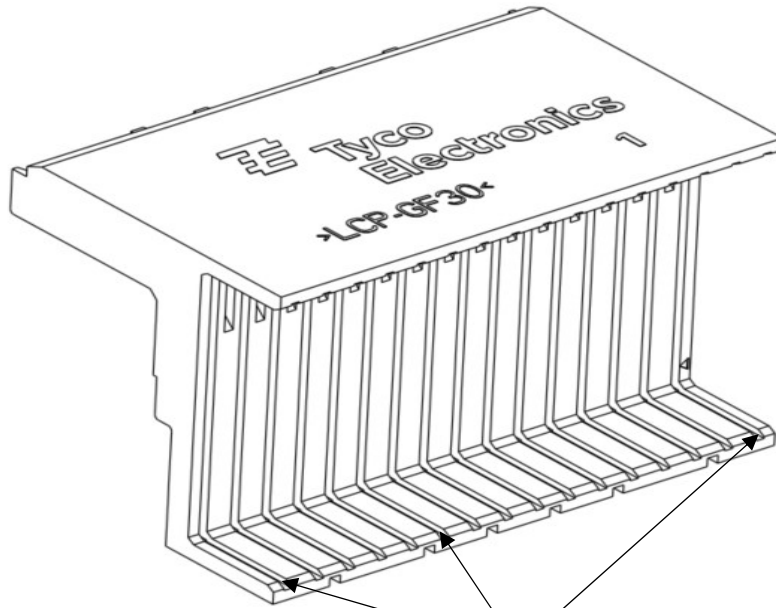
Part Number	Part Discontinued per PCN	Customer Drawing	Customer Part Number	Alias Part Number(s)	Substitute Part Number	Substitute Alias Part Number(s)	Description Of Difference
<a href="#">1410147-1</a>	NO						
<a href="#">1410147-2</a>	NO						
<a href="#">1410187-1</a>	NO						
<a href="#">1410188-3</a>	NO						
<a href="#">1410190-4</a>	NO						
<a href="#">2102771-1</a>	NO						
<a href="#">2102870-1</a>	NO						
<a href="#">2302794-1</a>	NO						

Part Number(s) being Modified:

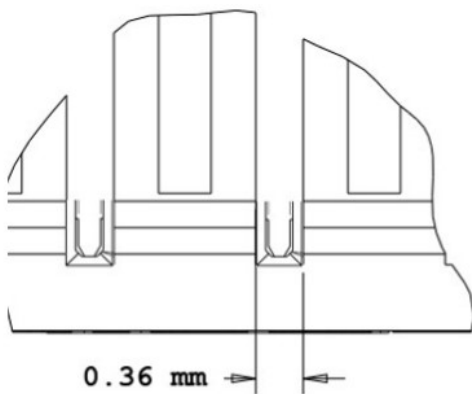
Part Number	Part Discontinued per PCN	Customer Drawing	Customer Part Number	Alias Part Number(s)	Substitute Part Number	Substitute Alias Part Number(s)	Description Of Difference
<a href="#">2102771-1</a>	NO						
<a href="#">2286117-1</a>	NO						
<a href="#">2286119-1</a>	NO						
<a href="#">2286120-1</a>	NO						
<a href="#">2302317-1</a>	NO						
<a href="#">2302319-1</a>	NO						
<a href="#">2302320-1</a>	NO						

TE MULTIGIG shroud, full size.

Increase the width of the wafer slots on housing (Shroud) by 0.09mm. See the images below.

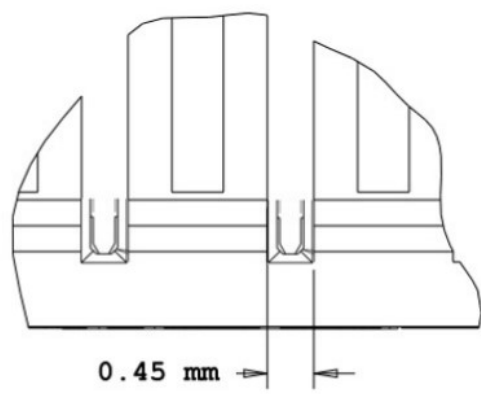


Typical width of the wafer slots



0.36 mm

Before



0.45 mm

After