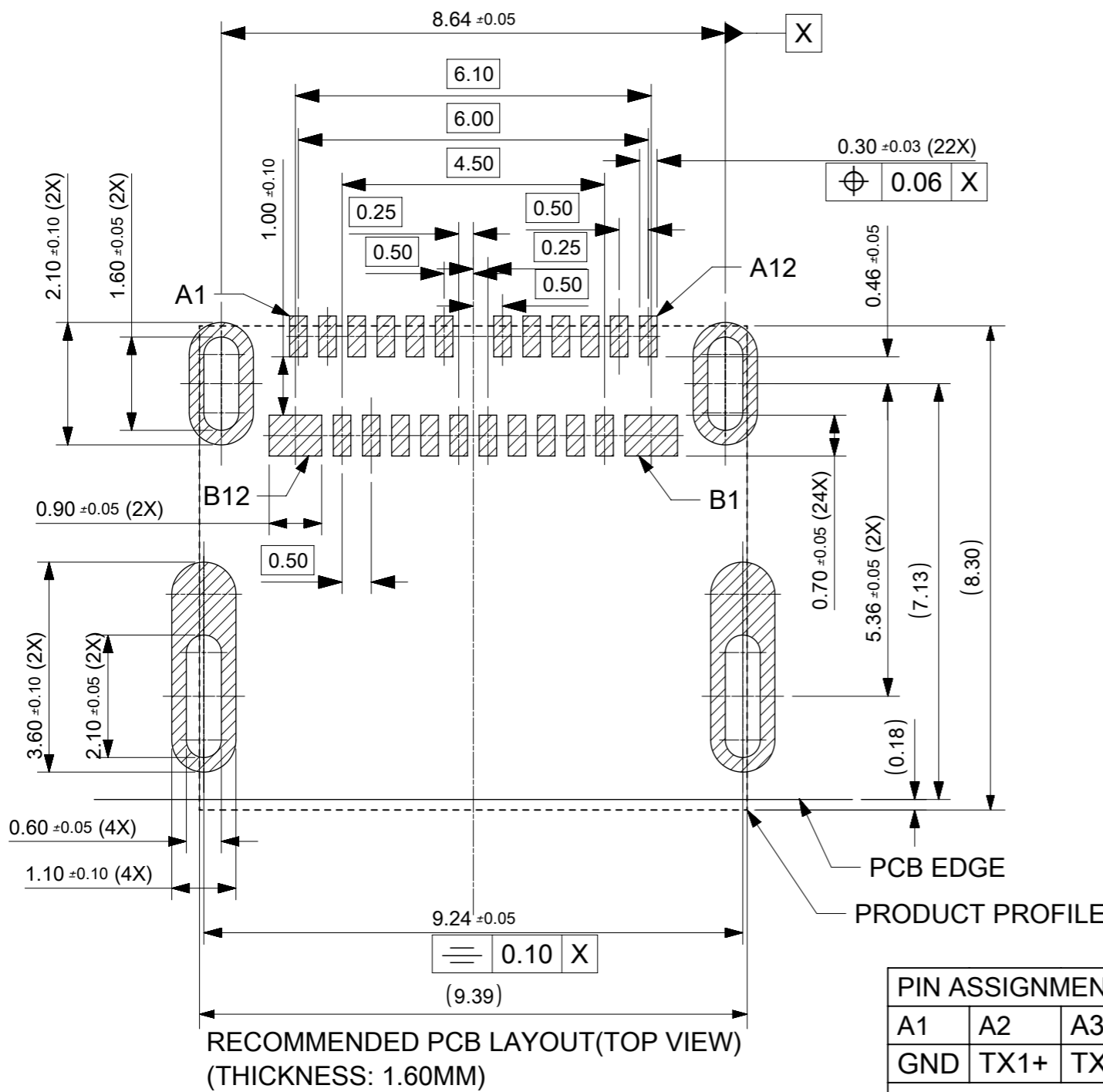


| PART NO.   | PLATING DESCRIPTION             |
|------------|---------------------------------|
| 2012670005 | SEE NOTES 2(1) FOR CONTACT AREA |
| 2012670105 | SEE NOTES 2(2) FOR CONTACT AREA |

THIS DRAWING CONTAINS INFORMATION THAT IS PROPRIETARY TO MOLEX ELECTRONIC TECHNOLOGIES, LLC AND SHOULD NOT BE USED WITHOUT WRITTEN PERMISSION

|                                                                 |                                                      |                                                                                                                                             |                                                                                       |  |
|-----------------------------------------------------------------|------------------------------------------------------|---------------------------------------------------------------------------------------------------------------------------------------------|---------------------------------------------------------------------------------------|--|
| EC NO: 605829<br>DRWN: FYANG05<br>CHK'D: RZHANG<br>APPR: RZHANG | 2018/09/21<br>2018/10/17<br>2018/10/17               | GENERAL TOLERANCES (UNLESS SPECIFIED)<br>ANGULAR TOL ± 3.0 °<br>4 PLACES ±<br>3 PLACES ±<br>2 PLACES ± 0.25<br>1 PLACE ± 0.25<br>0 PLACES ± | DIMENSION UNITS: mm<br>SCALE: 8:1                                                     |  |
|                                                                 | DRWN BY: FYANG05<br>DATE: 2016/12/20                 | APPR BY: RZHANG<br>DATE: 2017/01/03                                                                                                         | PRODUCT CUSTOMER DRAWING                                                              |  |
|                                                                 | DRAWING SIZE: A3<br>THIRD ANGLE PROJECTION           | SERIES: 201267<br>MATERIAL NUMBER: SEE SHEET 1<br>CUSTOMER:                                                                                 | DOCUMENT NUMBER: 2012670005<br>DOC TYPE: PSD<br>DOC PART: 000<br>SHEET NUMBER: 1 OF 2 |  |
|                                                                 | DRAFT WHERE APPLICABLE MUST REMAIN WITHIN DIMENSIONS | RELEASE STATUS: P1<br>RELEASE DATE: 2018/10/17 07:04:20                                                                                     | DATE: 2015/12/14                                                                      |  |



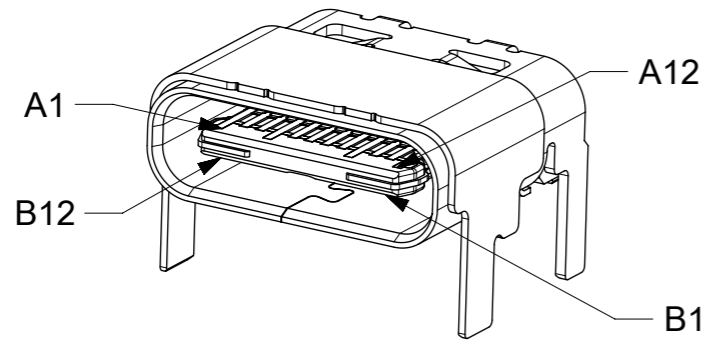
RECOMMENDED PCB LAYOUT(TOP VIEW)  
(THICKNESS: 1.60MM)

NOTES:

- MATERIAL,  
HOUSING: NYLON WITH GLASS FILLED, BLACK, UL94V-0.  
TERMINALS: COPPER ALLOY  
SHELL: STAINLESS STEEL;  
OUTTER SHELL: STAINLESS STEEL;  
INNER SHELL: STAINLESS STEEL;  
MIDDLE BLADE: STAINLESS STEEL;
- PLATING:  
TERMINAL: CONTACT AREA:  
(1) 0.76 MICROMETER MIN. GOLD PLATING  
(2) GOLD FLASH OVER 0.76 MICROMETER NIN PALLADIUM/NICKEL PLATING  
SOLDER TAIL: 0.05 MICROMETER MIN. GOLD PLATING  
UNDER PLATING: 2 MICROMETER MIN. NICKEL PLATING OVERALL  
SHELL: 1 MICROMETR MIN. SOLDERABLE NICKEL PLATING OVERALL  
INNER SHELL: CLEANING  
MIDDLE BLADE: 2 MICROMETER MIN. TIN PLATING OVER THE SOLDER TAIL  
AND 1 MICROMETER NICKEL PLATING OVERALL
- PRODUCT SPEC REFER TO PS-201267-001.
- PACKAGE SPEC REFER TO 201267005PDDPK1
- COPLANARITY OF SMT PINS SOLDER TAIL IS 0.10 MAX.  
BEFORE AND AFTER REFLOW
- T/H SOLDER TAIL POSITION BE CONTROLLED BY GAUGE
- LASER WELDING POINT FOR REFERENCE
- PRODUCT COMPLIANT TO ROHS DIERTIVE 2011/65/EU  
AND ELV DIRECTIVE 2000/53/EC
- DATE CODE: XX XX XX XX  
YEAR MONTH DATE HOUR

PIN ASSIGNMENT FOR DIRECT CONNECT APPLICATIONS

| A1  | A2   | A3   | A4   | A5   | A6 | A7 | A8   | A9   | A10  | A11  | A12 | BLADE  | SHELL  |
|-----|------|------|------|------|----|----|------|------|------|------|-----|--------|--------|
| GND | TX1+ | TX1- | VBUS | CC1  | D+ | D- | SUB1 | VBUS | RX2- | RX2+ | GND | GROUND | GROUND |
| GND | RX1+ | RX1- | VBUS | SBU2 | D- | D+ | CC2  | VBUS | TX2- | TX2+ | GND |        |        |
| B12 | B11  | B10  | B9   | B8   | B7 | B6 | B5   | B4   | B3   | B2   | B1  |        |        |



THIS DRAWING CONTAINS INFORMATION THAT IS PROPRIETARY TO MOLEX ELECTRONIC TECHNOLOGIES, LLC AND SHOULD NOT BE USED WITHOUT WRITTEN PERMISSION

|                                                                 |                                                                             |                                                                 |                                                                                       |  |
|-----------------------------------------------------------------|-----------------------------------------------------------------------------|-----------------------------------------------------------------|---------------------------------------------------------------------------------------|--|
| EC NO: 605829<br>DRWN: FYANG05<br>CHK'D: RZHANG<br>APPR: RZHANG | 2018/09/21<br>2018/10/17<br>2018/10/17                                      | GENERAL TOLERANCES (UNLESS SPECIFIED)<br>ANGULAR TOL ± 3.0 °    | DIMENSION UNITS: mm<br>SCALE: 10:1                                                    |  |
|                                                                 | 4 PLACES ±<br>3 PLACES ±<br>2 PLACES ± 0.25<br>1 PLACE ± 0.25<br>0 PLACES ± | DRWN BY: FYANG05<br>DATE: 2016/12/20                            | PRODUCT CUSTOMER DRAWING                                                              |  |
|                                                                 | DRAFT WHERE APPLICABLE MUST REMAIN WITHIN DIMENSIONS                        | CHK'D BY: RZHANG<br>DATE: 2017/01/03                            | SERIES: 201267<br>MATERIAL NUMBER: SEE SHEET 1<br>CUSTOMER:                           |  |
|                                                                 | DRAWING SIZE: A3<br>THIRD ANGLE PROJECTION                                  | APPR BY: RZHANG<br>DATE: 2017/01/03                             | DOCUMENT NUMBER: 2012670005<br>DOC TYPE: PSD<br>DOC PART: 000<br>SHEET NUMBER: 2 OF 2 |  |
|                                                                 | RELEASED                                                                    | EC NO: 605829<br>DRWN: FYANG05<br>CHK'D: RZHANG<br>APPR: RZHANG | DIMENSION UNITS: mm<br>SCALE: 10:1                                                    |  |