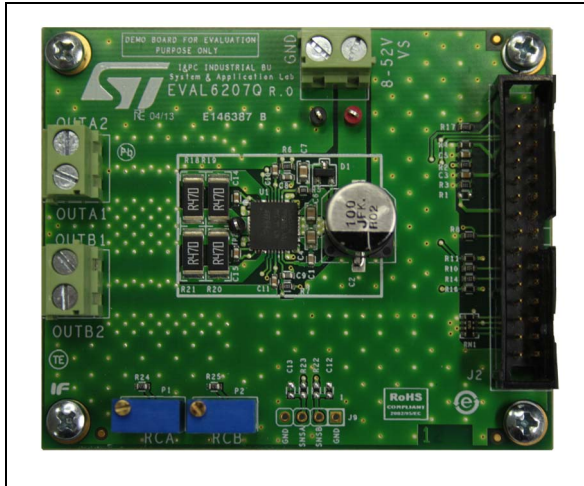


Dual full bridge with integrated PWM current controllers

Data brief

**Description**

The EVAL6207Q is a dual full bridge driver board allowing the user to test the L6207Q functions.

The dual full bridges integrated into the L6207Q can be used to drive a single two phase stepper motor or up to four DC motors (unidirectional). The device also includes two independent constant OFF time PWM current controllers.

The board can be driven using the STEVAL-PCC009V2 communication board and the PractiSPIN™ 2 evaluation software.

Features

- Voltage range from 8 V to 52 V
- Phase current up to 2.5 A_{r.m.s.}
- Adjustable constant t_{OFF} PWM current control
- Logic inputs 5 V / 3.3 V compliant
- Small application footprint with high thermal performance
- Suitable to be used in combination with PractiSPIN™ 2 software

1 Board description

Table 1. Electrical specifications

Parameter	Value
Supply voltage (VS)	8 to 52 V
Maximum output current (each phase)	2.5 A _{r.m.s.}
Low level logic inputs voltage	0 V
High level logic input voltage	5 V / 3.3 V ⁽¹⁾
Maximum VREF _A /VREF _B input voltage	3.3 V ⁽²⁾
Switching frequency	Up to 100 kHz
Operating temperature	-25 to +125 °C
L6207Q thermal resistance junction-to-ambient	17° C/W

1. Logic inputs are 3.3 V and 5 V compliant.
2. Equivalent to about 3.1 A peak current.

Figure 1. Trimmers and connectors location

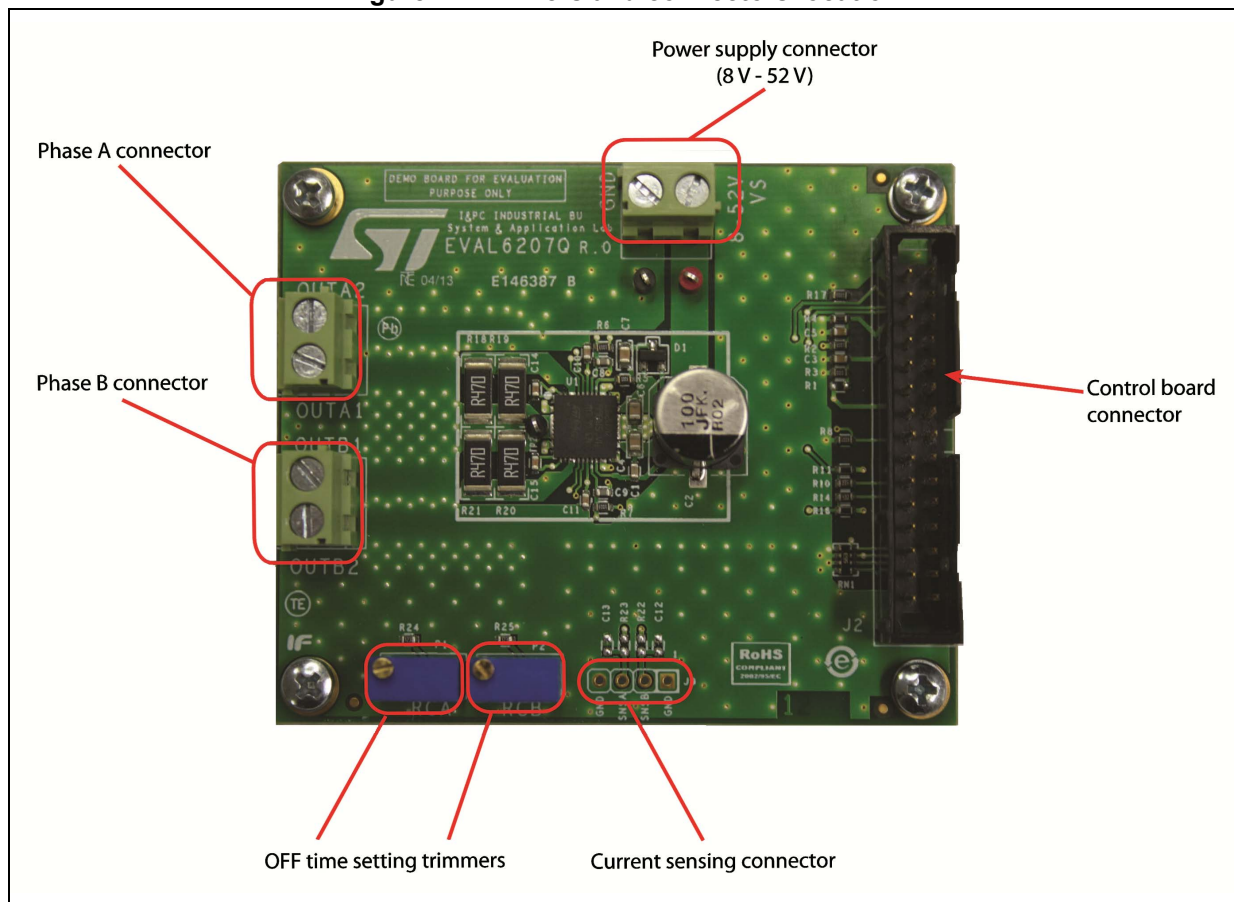


Table 2. Control board connector pinout (J2)

Pin	Type	Function
2	Ground	Ground
3	Logic input	Input IN1A of L6207Q
4	Logic input	Input IN2A of L6207Q
5	Logic input	Input IN1B of L6207Q
6	Logic input	Input IN2B of L6207Q
11	Analog input	Overcurrent threshold regulation for A bridge
12	Analog input	Overcurrent threshold regulation for B bridge
13	Ground	Ground
14	Supply voltage	3.3 V supply voltage
16	Logic input	Input ENA of L6207Q
23	Ground	Ground
24	Analog output	Board identification system ID0
25	Analog output	Board identification system ID1
27	Logic output	Fault output for B bridge
28	Ground	Ground
29	Logic output	Fault output for A bridge
30	Logic input	Input ENB of L6207Q
Others	Unconnected	

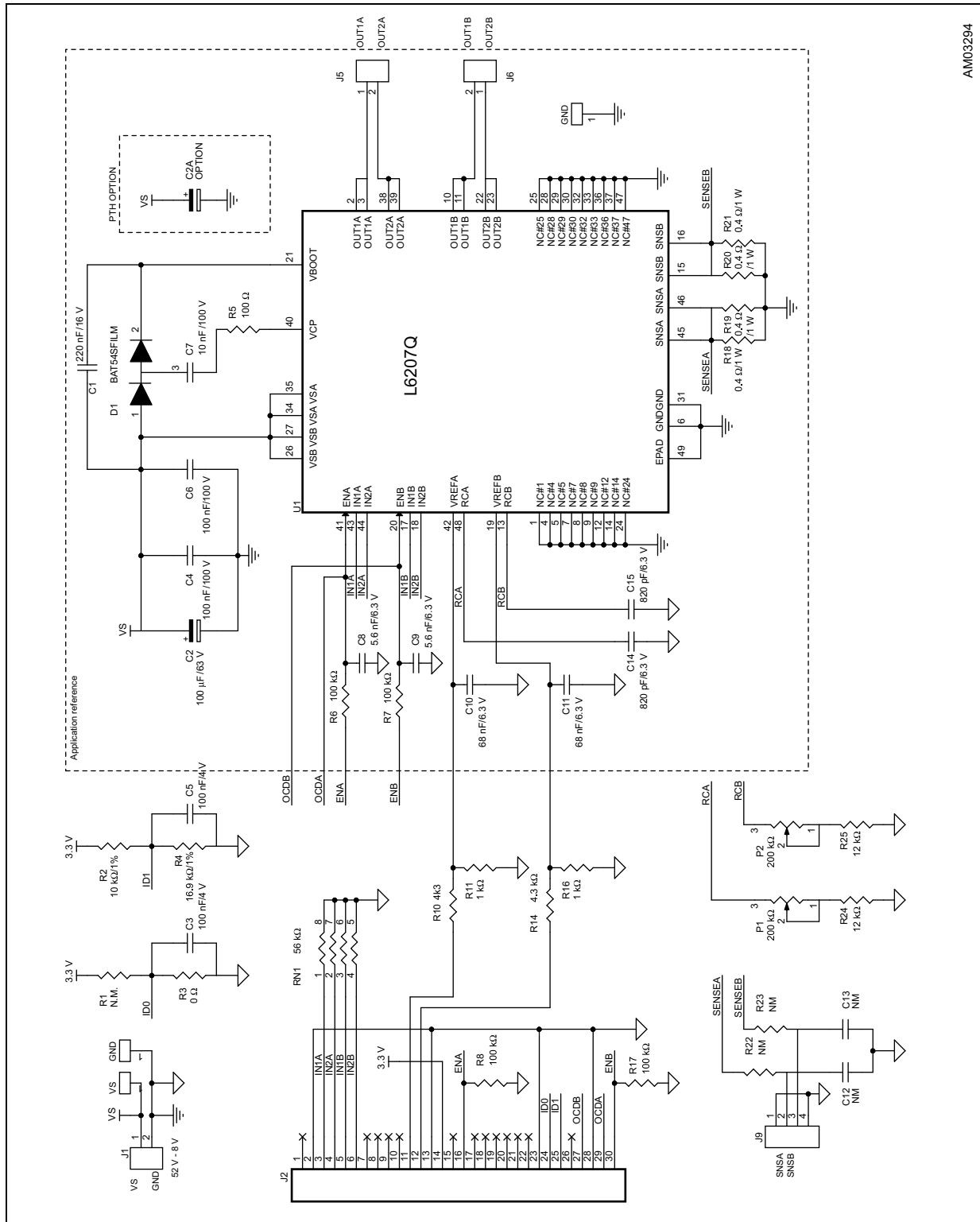
Table 3. Current sensing connector (J9)

Pin	Type	Function
1	Ground	Ground
2	Analog output	SENSEA pins of L6207Q ⁽¹⁾
3	Analog output	SENSEB pins of L6207Q ⁽¹⁾
4	Ground	Ground

1. R22/23 resistors and C12/13 capacitors must be added when output is used. The value of RC network should be chosen according to the target low pass frequency of the filter.

2 Schematic

Figure 2. Schematic



AM03294



3 Bill of material

Table 4. Bill of material

Index	Quantity	Reference	Value	Package
1	1	C2	100 μ F/63 V	CAPES-R10H10
2	1	C2A	100 μ F/63 V (option)	CAPE-R8H12-P35
3	1	C1	220 nF/16 V	CAPC-0603
4	2	C3, C5	100 nF/4 V	CAPC-0603
5	2	C4, C6	100 nF/100 V	CAPC-0805
6	1	C7	10 nF/100 V	CAPC-0805
7	2	C8, C9	5.6 nF/6.3 V	CAPC-0603
8	2	C10, C11	68 nF/6.3 V	CAPC-0603
9	2	C14, C15	820 pF/6.3 V	CAPC-0603
10	2	C12, C13	NM	CAPC-0603
11	1	D1	BAT54SFILM	SOT-23
12	3	J1, J5, J6	Screw connector 2 poles	MORSV-508-2P
13	1	J2	Pol. IDC male header vertical 30 poles	CON-FLAT-15X2-180M
14	1	J9	N.M.	STRIP254P-M-4
15	1	RN1	56 k Ω	RESN-CAY16
16	1	R1	N.M.	RESC-0603
17	1	R2	10 k Ω /1%	RESC-0603
18	1	R3	0	RESC-0603
19	1	R4	16.9 k Ω /1%	RESC-0603
20	1	R5	100	RESC-0603
21	4	R6, R7, R8, R17	100 k Ω	RESC-0603
22	2	R10, R14	4.3 k Ω	RESC-0603
23	2	R11, R16	1 k Ω	RESC-0603
24	4	R18, R19, R20, R21	0.4 Ω /1 W	RESC-2512
25	2	R22, R23	N.M.	RESC-0603
26	2	P1, P2	200 k Ω	TRIMM-100X50X110-64W
27	2	R24, R25	12 k Ω	RESC-0603
28	1	TP1	TPTH-RING-1MM RED	TPTH-RING-1MM
29	2	TP2, TP3	TPTH-RING-1MM BLACK	TPTH-RING-1MM
30	1	U1	L6207Q	QFN7X7_48L

4 Layout

Figure 3. Layout (silk screen)

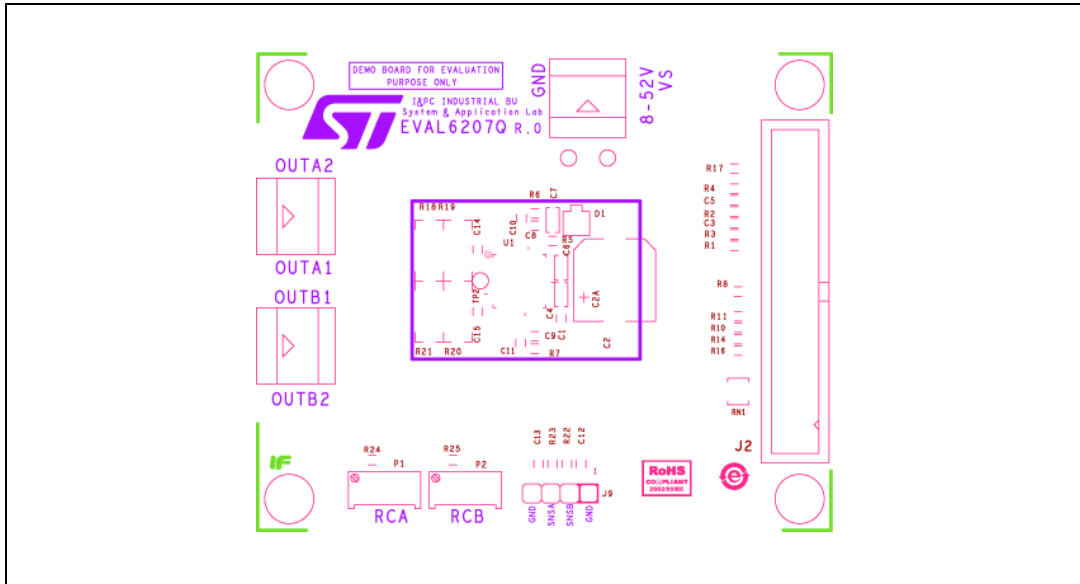


Figure 4. Layout (top layer)

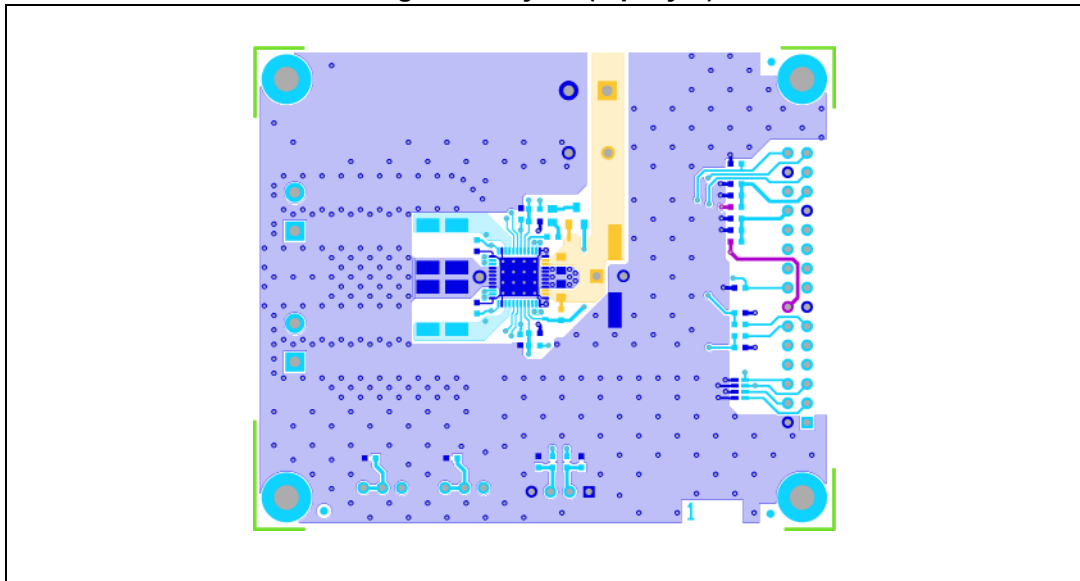


Figure 5. Layout (inner layer 2)

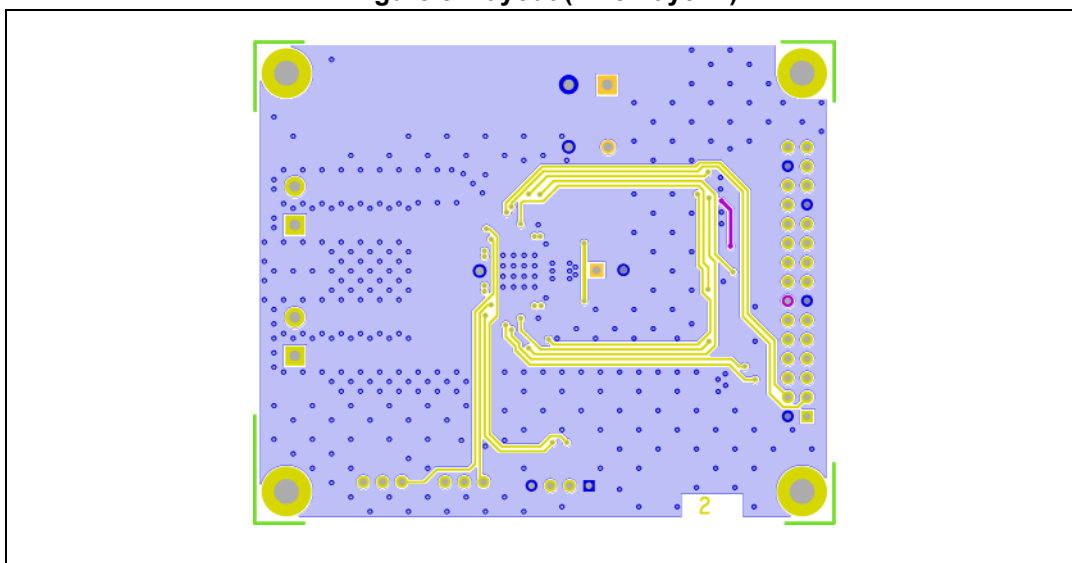


Figure 6. Layout (inner layer 3)

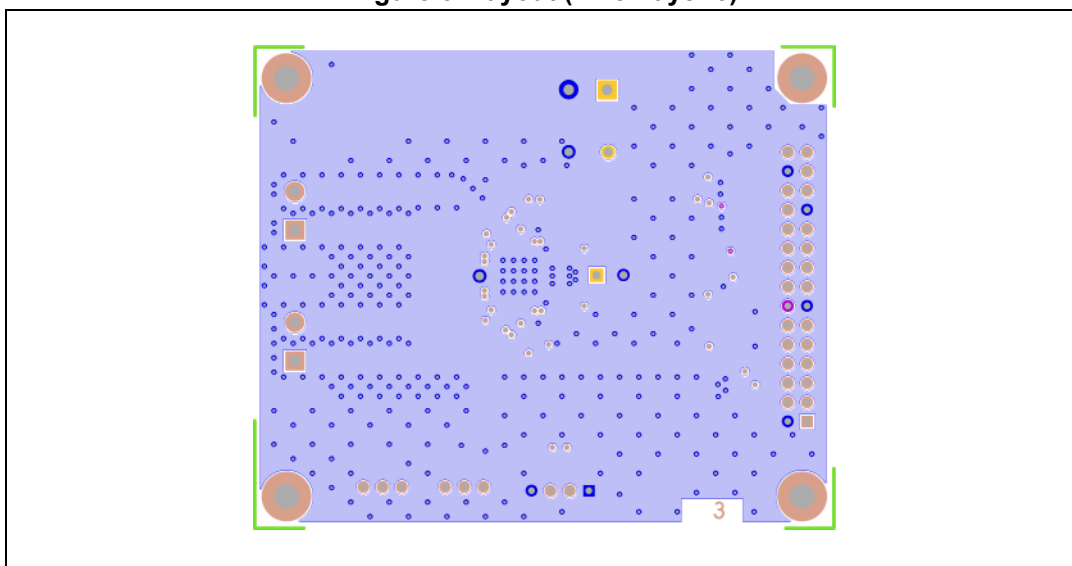
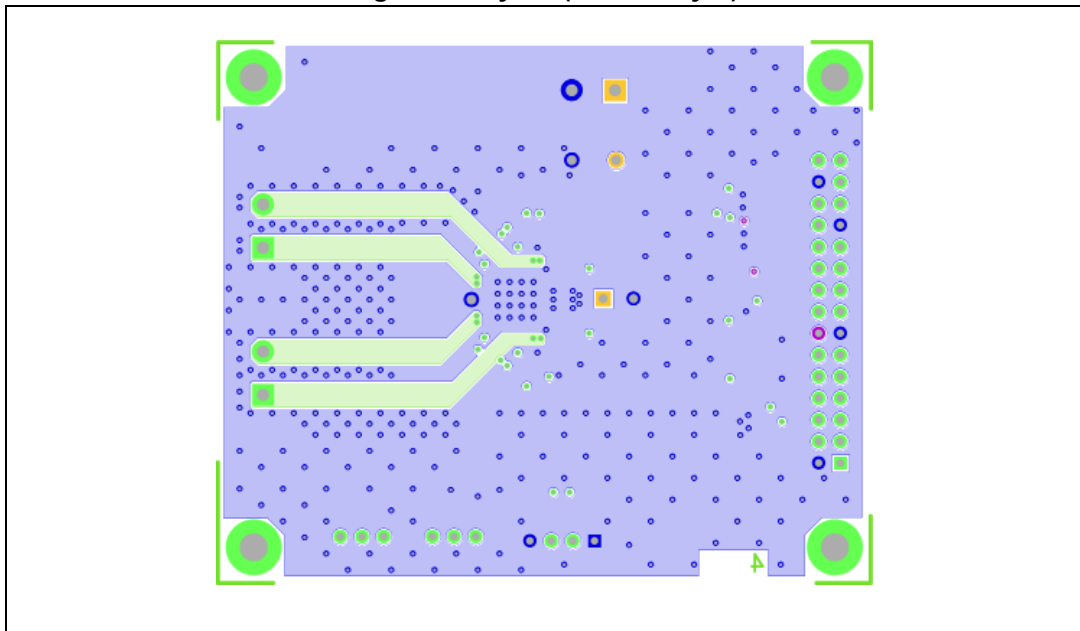
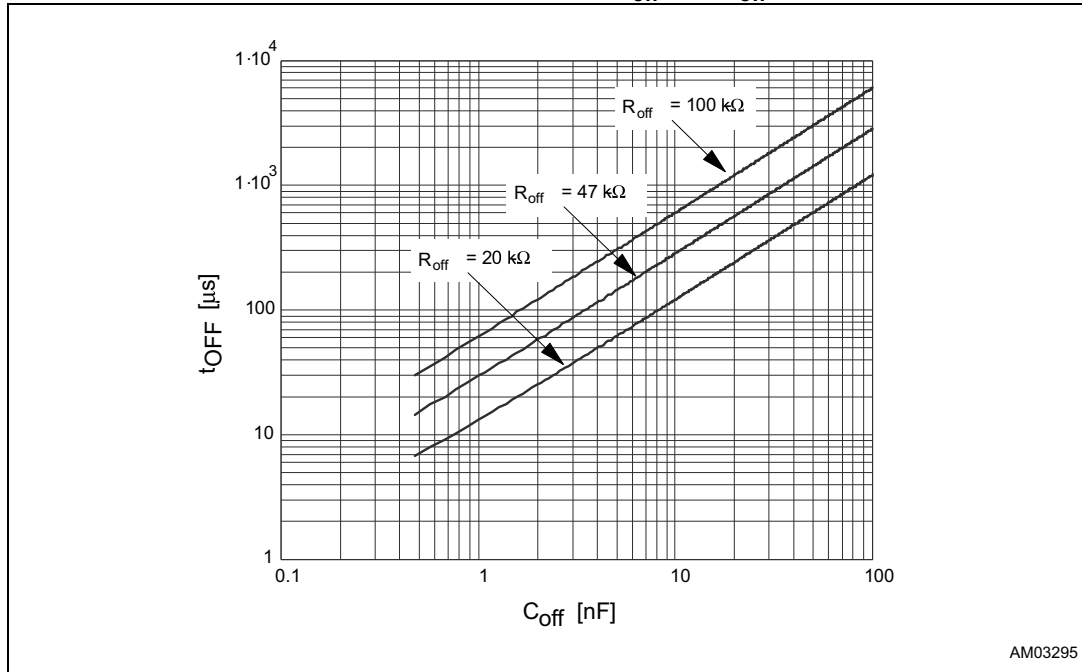


Figure 7. Layout (bottom layer)



5 OFF time setting

Figure 8. OFF time vs. R_{off} and C_{off}



6 Revision history

Table 5. Document revision history

Date	Revision	Changes
07-Aug-2013	1	Initial release.

Please Read Carefully:

Information in this document is provided solely in connection with ST products. STMicroelectronics NV and its subsidiaries ("ST") reserve the right to make changes, corrections, modifications or improvements, to this document, and the products and services described herein at any time, without notice.

All ST products are sold pursuant to ST's terms and conditions of sale.

Purchasers are solely responsible for the choice, selection and use of the ST products and services described herein, and ST assumes no liability whatsoever relating to the choice, selection or use of the ST products and services described herein.

No license, express or implied, by estoppel or otherwise, to any intellectual property rights is granted under this document. If any part of this document refers to any third party products or services it shall not be deemed a license grant by ST for the use of such third party products or services, or any intellectual property contained therein or considered as a warranty covering the use in any manner whatsoever of such third party products or services or any intellectual property contained therein.

UNLESS OTHERWISE SET FORTH IN ST'S TERMS AND CONDITIONS OF SALE ST DISCLAIMS ANY EXPRESS OR IMPLIED WARRANTY WITH RESPECT TO THE USE AND/OR SALE OF ST PRODUCTS INCLUDING WITHOUT LIMITATION IMPLIED WARRANTIES OF MERCHANTABILITY, FITNESS FOR A PARTICULAR PURPOSE (AND THEIR EQUIVALENTS UNDER THE LAWS OF ANY JURISDICTION), OR INFRINGEMENT OF ANY PATENT, COPYRIGHT OR OTHER INTELLECTUAL PROPERTY RIGHT.

ST PRODUCTS ARE NOT AUTHORIZED FOR USE IN WEAPONS. NOR ARE ST PRODUCTS DESIGNED OR AUTHORIZED FOR USE IN: (A) SAFETY CRITICAL APPLICATIONS SUCH AS LIFE SUPPORTING, ACTIVE IMPLANTED DEVICES OR SYSTEMS WITH PRODUCT FUNCTIONAL SAFETY REQUIREMENTS; (B) AERONAUTIC APPLICATIONS; (C) AUTOMOTIVE APPLICATIONS OR ENVIRONMENTS, AND/OR (D) AEROSPACE APPLICATIONS OR ENVIRONMENTS. WHERE ST PRODUCTS ARE NOT DESIGNED FOR SUCH USE, THE PURCHASER SHALL USE PRODUCTS AT PURCHASER'S SOLE RISK, EVEN IF ST HAS BEEN INFORMED IN WRITING OF SUCH USAGE, UNLESS A PRODUCT IS EXPRESSLY DESIGNATED BY ST AS BEING INTENDED FOR "AUTOMOTIVE, AUTOMOTIVE SAFETY OR MEDICAL" INDUSTRY DOMAINS ACCORDING TO ST PRODUCT DESIGN SPECIFICATIONS. PRODUCTS FORMALLY ESCC, QML OR JAN QUALIFIED ARE DEEMED SUITABLE FOR USE IN AEROSPACE BY THE CORRESPONDING GOVERNMENTAL AGENCY.

Resale of ST products with provisions different from the statements and/or technical features set forth in this document shall immediately void any warranty granted by ST for the ST product or service described herein and shall not create or extend in any manner whatsoever, any liability of ST.

ST and the ST logo are trademarks or registered trademarks of ST in various countries.

Information in this document supersedes and replaces all information previously supplied.

The ST logo is a registered trademark of STMicroelectronics. All other names are the property of their respective owners.

© 2013 STMicroelectronics - All rights reserved

STMicroelectronics group of companies

Australia - Belgium - Brazil - Canada - China - Czech Republic - Finland - France - Germany - Hong Kong - India - Israel - Italy - Japan - Malaysia - Malta - Morocco - Philippines - Singapore - Spain - Sweden - Switzerland - United Kingdom - United States of America

www.st.com