

## High Accuracy, Bipolar Voltage Output Digital-to-Analog Conversion Using the AD5764 DAC

### CIRCUIT FUNCTION AND BENEFITS

This circuit provides high accuracy, bipolar data conversion using the AD5764, a quad, 16-bit, serial input, bipolar voltage output digital-to-analog converter (DAC). This circuit utilizes the ADR02 precision reference to achieve optimal DAC performance over the full operating temperature range. The only external components needed for this precision 16-bit DAC

are a reference voltage source, decoupling capacitors on the supply pins and reference inputs, and an optional short-circuit current setting resistor, leading to savings in cost and board space. This circuit is well suited for both closed-loop servo control and open-loop control applications.

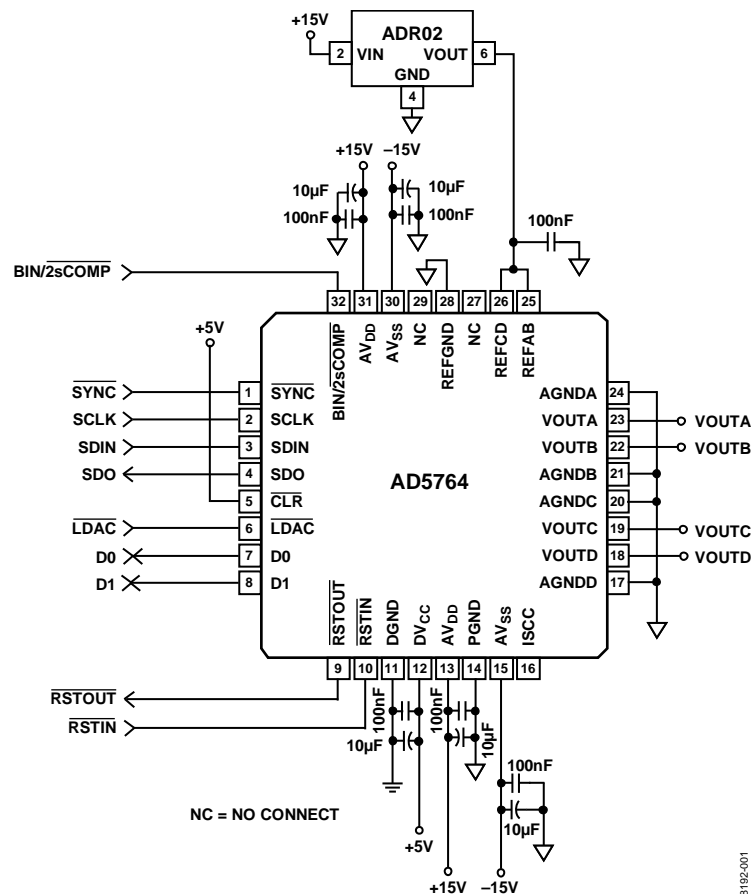


Figure 1. High Accuracy, Bipolar Configuration of the AD5764 DAC Using a Precision Reference

**TABLE OF CONTENTS**

Circuit Function and Benefits.....	1	Circuit Description.....	3
Revision History .....	2	References.....	4

**REVISION HISTORY**

**7/2016—Rev. A to Rev. B**

Document Title Changed from CN-0006 to AN-1411 ..... Universal

**5/2009—Rev. 0 to Rev. A**

Updated Format ..... Universal

**10/2008—Revision 0: Initial Version**

## CIRCUIT DESCRIPTION

The [AD5764](#) is a high performance DAC that offers guaranteed monotonicity, integral nonlinearity (INL) of  $\pm 1$  LSB (C grade device), low noise, and 10  $\mu$ s settling time. Performance is guaranteed over wide operating supply voltage ranges. The  $AV_{DD}$  supply range is +11.4 V to +16.5 V, and the  $AV_{SS}$  operating range is from -11.4 V to -16.5 V. The nominal full-scale output range is  $\pm 10$  V.

A precision voltage reference must be used for the DAC to achieve the optimum performance over its full operating temperature range. The [AD5764](#) incorporates reference buffers, which eliminate the need for both a positive and negative external reference and associated buffers. This leads to further savings in both cost and board space. Because the voltages applied to the reference inputs (REFAB, REFCB) are used to generate the buffered positive and negative internal references for the DAC cores, any error in the external voltage reference is reflected in the outputs of the device.

There are four possible sources of error to consider when choosing a voltage reference for high accuracy applications: initial accuracy, temperature coefficient of the output voltage, long-term drift, and output voltage noise. Table 1 lists other 5 V precision reference candidates from Analog Devices, Inc., and their respective attributes.

In any circuit where accuracy is important, careful consideration of the power supply and ground return layout helps to ensure the rated performance. The printed circuit board (PCB) on which the [AD5764](#) is mounted must be designed so that the analog and digital sections are physically separated and confined to certain areas of the board. If the [AD5764](#) is in a system where multiple devices require an AGND to DGND

connection, the connection is to be made at one point only. The star ground point is established as close as possible to the device. The [AD5764](#) must have ample supply bypassing of 10  $\mu$ F in parallel with 0.1  $\mu$ F on each supply, located as close to the package as possible, ideally right up against the device. The 10  $\mu$ F capacitors are the tantalum bead type. The 0.1  $\mu$ F capacitor must have low effective series resistance (ESR) and low effective series inductance (ESL), such as the common ceramic types, which provide a low impedance path to ground at high frequencies to handle transient currents due to internal logic switching.

The power supply traces of the [AD5764](#) must be as wide as possible to provide low impedance paths and reduce the effects of glitches on the power supply line. Fast switching signals, such as clocks, must be shielded with digital ground to avoid radiating noise to other parts of the board, and must never be run near the reference inputs. A ground line routed between the serial data input (SDIN) and serial clock input (SCLK) lines helps reduce crosstalk between them (not required on a multilayer board, which has a separate ground plane; however, it is helpful to separate the lines). It is essential to minimize noise on the reference inputs because it couples through to the DAC output. Avoid crossover of digital and analog signals. Traces on opposite sides of the board must run at right angles to each other to reduce the effects of feedthrough. A microstrip technique is recommended, but not always possible with a double-sided board. In this technique, the component side of the board is dedicated to the ground plane, and signal traces are placed on the solder side. Best layout and performance are achieved with at least a 4-layer multilayer board, where there is a ground plane layer, a power supply layer, and two signal layers.

**Table 1. Precision 5.0 V References**

Part Number	Initial Accuracy Maximum (mV)	Long-Term Drift Typical (ppm)	Temperature Drift Maximum (ppm/°C)	0.1 Hz to 10 Hz Noise Typical ( $\mu$ V p-p)
<a href="#">ADR435B</a>	2	40	3	8
<a href="#">ADR425B</a>	2	50	3	3.4
<a href="#">ADR02B</a>	3	50	3	10
<a href="#">ADR395B</a>	5	50	9	8
<a href="#">AD586T</a>	2.5	15	10	4

**REFERENCES**

Kester, Walt. 2005. *The Data Conversion Handbook*. Analog Devices. Chapter 3 and Chapter 7.

MT-015 Tutorial, *Basic DAC Architectures II: Binary DACs*. Analog Devices.

MT-031 Tutorial, *Grounding Data Converters and Solving the Mystery of AGND and DGND*. Analog Devices.

MT-101 Tutorial, *Decoupling Techniques*. Analog Devices.

Voltage Reference Wizard Design Tool.