



Product Change Notification

INDUCTIVE COMPONENTS

Bourns Manufacturers Representatives
Corporate Distributor Product Managers
Americas Sales Team
Asia Sales Team
Europe Sales Team
Bourns Internal
Bourns Plant Managers



October, 2008

Electrical and Physical Changes to Specified JW Miller® SMD Models Effective May 1, 2009

As initially stated in Product Update Memo, “*Transition of JW Miller® SMD Models to Equivalent Bourns® SMD Models*” (May 2008), this PCN is issued for some JW Miller® models of SMD inductors in order to maintain supply of the JW Miller® part numbers. This PCN serves as notification of electrical and physical changes to each of the affected models, as well as a change in manufacturing location.

The changes noted within this PCN will become effective on May 1, 2009. Parts shipped against ALL orders received before May 1, 2009 will be manufactured to pre-PCN specifications. The pre-PCN configuration is referred to as “original” in the detail pages appended to this PCN.

ALL orders received on or after May 1, 2009 will be manufactured to the “revised” specifications described on the detail pages. ONLY “revised” specification parts will be available after May 1, 2009.

All affected models are listed below. The details of the changes to each model may be found on the following pages of this PCN. Detail pages are presented in the same order as the list below. Electrical properties of the “revised” specifications that are equal or superior to the “original” are shown in black.

Models PM12645S and PM12651S will be found on the same page. Also, Models PM13560S, PM13656S, and PM13666S are on the same detail page.

PM0603	PM105SB	PM13656S	PM42S	PM54
PM0805	PM124SH	PM13666S	PM43	PM628S
PM1008	PM125SH	PM1608	PM5022	PM638S
PM1210	PM12639S	PM1608S	PM5022H	PM7032S
PM1812	PM12645S	PM32	PM5022S	PM7232S
PM1038S	PM12651S	PM3316	PM518S	PM74SH
PM104SH	PM127SH	PM3316S	PM528S	PM75
PM105	PM13560S	PM428S		

Last Time Buy

Parts shipped against orders placed on or before April 30, 2009 will be the “original” version. Parts shipped against any order placed on or after May 1, 2009 will be the “revised” version.

April 30, 2009 is the LAST date on which orders for the “original” version will be accepted. We will be unable to offer any inductors made to the “original” version from May 1, 2009 forward. Customers who wish to purchase the “original” version MUST place an order BEFORE May 1, 2009.

Sample Orders

As of the publication of this PCN, sample orders for any of the models listed on page 1 will be filled with inductors of the “revised” configuration. Sample orders are targeted for new designs. New designs should be made only with the “revised” configurations.

Orders for “Revised” Configuration before May 1, 2009

Orders placed before May 1, 2009 will be completed with inductors manufactured to the “original” configuration. If a customer wishes to order inductors to be provided to the “revised” configuration BEFORE May 1, 2009, the Bourns representative and/or Bourns Inside Sales MUST be contacted before the order is placed with this requirement. The customer should provide the purchase order number, part number, and quantity to its representative or Inside Sales for confirmation BEFORE the order is placed. The Bourns representative must confirm with Inside Sales in order to ensure that the order will be entered for the “revised” configuration.

JWM Power Inductors Only - Transition to Bourns Supplier

See below for "Rank" explanation.

Detail Page No.	Rank	JWM Model	Electrical (Revised vs Original)			Physical - Max. Dimension (mm - Revised/Original)				Pad Layout (mm - Revised/Original)		
			Same Values	DCR	Current Rating	Shape	Length	Width	Height	Length*	Width	Space Between Pads
4	3	PM0603	Yes	Identical	Identical	Rectangle	1.85/1.80	1.25/1.12	1.20/1.07	0.70/0.64	1.20/1.02	Identical
5	2	PM0805	Yes	Identical	Not Identical	Rectangle	2.30/2.29	1.70/1.73	1.50/1.52	Identical	1.78/1.98	Identical
6	1	PM1008	Yes	Identical	Not Identical	Rectangle	2.70/2.92	2.20/2.79	1.8/2.29	0.65/1.02	2.30/2.54	1.20/1.27
7	1	PM1210	Yes	Identical	Not Identical	Rectangle	3.5/3.6	2.8/2.9	2.5/2.6	1.2/1.0	4.3/3.0	1.8/2.0
8	3	PM1812	Yes	Identical	Identical	Rectangle	4.8/4.9	3.5/3.6	3.4/3.6	1.7/1.5	2.5/4.0	2.5/3.0
10	2	PM1038S	Yes	Not Identical	Not Identical	Rectangle	11.8/10.9	10.5/10.4	Identical	Identical	4.5/5.0	5.4/4.5
11	2	PM1045H	Yes	Identical	Identical	Rectangle	10.3/10.0	10.3/10.2	4.1/4.0	Identical	Identical	7.2/7.3
12	2	PM105	Yes	Identical	Identical	Oval	9.8/10.4	9.8/9.4	Identical	3.8/3.7	10/9.5	2.8/2.5
13	1	PM1055B	Yes	Identical	Identical	Round/Oval	10.2/10.5	10.2/9.5	4.8/5.5	3.6/3.7	10/9.5	2.8/2.5
14	2	PM1245H	Yes	Not Identical	Not Identical	Square	12.8/12.3	12.8/12.3	Identical	2.9/2.8	5.4/5.5	6.8/7.0
15	3	PM1255H	Yes	Identical	Identical	Square	12.8/12.3	12.8/12.3	6.5/6.0	2.9/2.8	5.4/5.5	6.8/7.0
16	1	PM12639S	Yes	Not Identical	Not Identical	Square	13.9/13.0	13.9/13.0	3.7/4/3	4.0/3.5	4.5/6.5	7.0/6.0
17	1	PM12645S	Yes	Not Identical	Not Identical	Rectangle	13.9/13.0	13.5/13.0	5.9/4.9	4.0/3.5	4.5/6.5	7.0/6.0
17	1	PM12651S	Yes	Not Identical	Not Identical	Rectangle	13.9/13.0	13.5/13.0	5.9/5/1	4.0/3.5	4.5/6.5	7.0/6.0
18	2	PM1275H	Yes	Not Identical	Not Identical	Square	12.8/12.3	12.8/12.3	Identical	Identical	Identical	6.8/7.0
19	1	PM13560S	Yes	Identical	Identical	Rectangle	13.9/13.4	13.5/13.0	5.9/6.0	4.0/3.5	4.5/6.5	7.0/6.4
19	1	PM13656S	Yes	Not Identical	Not Identical	Rectangle	13.9/14.0	13.5/13.0	5.9/6.0	4.0/4.7	4.5/5.0	7.0/5.3
19	1	PM13666S	Yes	Identical	Identical	Rectangle	13.9/14.0	13.5/13.0	5.9/7.0	4.0/4.7	4.5/5.0	7.0/5.3
20	3	PM1608	Yes	Identical	Identical	Oval	Identical	Identical	Identical	1.5/1.4	3.0/3.56	4.1/4.06
21	3	PM1608S	Yes	Identical	Identical	Oval	Identical	4.4/4.45	3.0/2.92	1.5/1.4	3.0/3.56	4.1/4.06
22	2	PM32	Yes	Identical	Identical	Round/Oval	3.3/3.8	Identical	2.8/2.5	1.4/1.1	3.0/3.5	Identical
23	2	PM3316	Yes	Not Identical	Not Identical	Oval	12.9/13.0	10.2/9.5	5.3/5.2	3.0/2.92	2.8/2.79	7.3/7.37
24	2	PM3316S	Yes	Identical	Not Identical	Oval	12.8/13.0	10.2/9.5	5.2/5.1	3.0/2.92	2.8/2.79	7.3/7.37
25	3	PM428S	Yes	Identical	Identical	Square	Identical	Identical	Identical	2.0/1.9	Identical	Identical
26	3	PM42S	Yes	Identical	Identical	Square	5.0/4.7	5.0/4.7	Identical	2.0/1.9	Identical	Identical
27	3	PM43	Yes	Identical	Identical	Round/Oval	Identical	4.8/4.5	Identical	1.8/1.7	Identical	Identical
28	3	PMS022	Yes	Identical	Identical	Oval	Identical	14.3/15.3	6.9/7.1	3.0/2.92	2.9/2.79	12.7/12.45
29	2	PMS022H	Yes	Identical	Identical	Oval	22.3/22.4	15.3/16.3	7.8/8.0	4.0/3.2	9.0/8.6	13.5/14.3
30	2	PMS022S	Yes	Identical	Identical	Oval	Identical	14.3/15.3	6.9/7.6	3.0/2.92	2.9/2.79	12.7/12.45
31	1	PMS18S	Yes	Identical	Identical	Square	6.1/6.0	6.1/6.0	Identical	2.0/2.1	5.3/6.3	1.5/2.0
32	2	PMS28S	Yes	Not Identical	Not Identical	Square	6.1/5.7	6.1/5.7	Identical	Identical	Identical	1.9/2.0
33	3	PMS4	Yes	Identical	Identical	Round/Oval	5.8/6.1	5.8/5.5	Identical	Identical	5.8/5.5	1.8/1.7
34	3	PM628S	Yes	Not Identical	Not Identical	Square	Identical	Identical	Identical	Identical	Identical	2.1/2.0
35	3	PM638S	Yes	Identical	Identical	Square	Identical	Identical	Identical	Identical	Identical	2.1/2.0
36	2	PM7032S	Yes	Identical	Identical	Square	7.3/7.0	7.3/7.0	3.4/3.2	1.8/1.5	2.4/2.2	4.2/4.9
37	1	PM7232S	Yes	Identical	Not Identical	Rectangle	7.8/7.6	Identical	3.9/3.6	2.0/2.2	3.5/4.0	3.7/3.0
38	1	PM745H	Yes	Identical	Identical	Square	7.3/7.5	7.3/7.5	4.8/4.7	1.8/1.6	2.4/3.1	4.2/4.8
39	3	PM75	Yes	Identical	Identical	Round/Oval	7.8/8.3	7.8/7.5	5.3/5.5	2.7/3.0	8.0/7.5	2.6/2.0

Rank: 1 Most significant changes
 2 Less significant changes
 3 Revised specifications very similar to original

*Dimension of pad parallel to long axis of component.

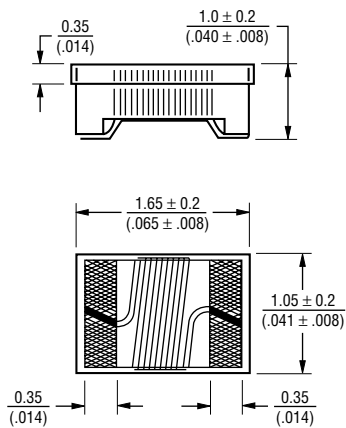
PM0603 Series

Electrical Specifications

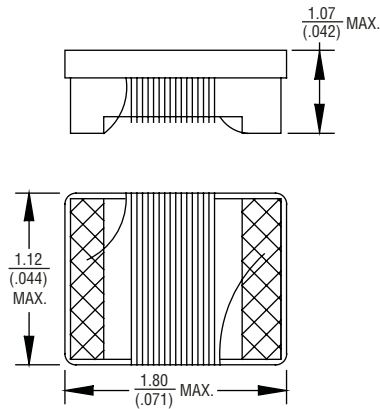
Part Number	Revised Value (nH)	Original Value (nH)	Revised DCR (Ω)	Original DCR (Ω)	Revised I rms (mA)	Original I rms (mA)
PM0603-2N2-RC	2.2	2.2	0.08	0.08	700	700
PM0603-3N9-RC	3.9	3.9	0.08	0.08	700	700
PM0603-4N7-RC	4.7	4.7	0.10	0.13	700	700
PM0603-6N8J-RC	6.8	6.8	0.11	0.11	700	700
PM0603-8N2J-RC	8.2	8.2	0.11	0.11	700	700
PM0603-10NJ-RC	10	10	0.13	0.15	700	700
PM0603-12NJ-RC	12	12	0.13	0.13	700	700
PM0603-15NJ-RC	15	15	0.17	0.17	700	700
PM0603-18NJ-RC	18	18	0.17	0.17	700	700
PM0603-22NJ-RC	22	22	0.19	0.19	700	700
PM0603-27NJ-RC	27	27	0.22	0.23	600	700
PM0603-33NJ-RC	33	33	0.22	0.23	600	600
PM0603-39NJ-RC	39	39	0.25	0.25	600	600
PM0603-47NJ-RC	47	47	0.28	0.28	600	600
PM0603-56NJ-RC	56	56	0.31	0.31	600	600
PM0603-68NJ-RC	68	68	0.34	0.34	600	600
PM0603-72NJ-RC	72	72	0.49	0.49	400	400
PM0603-82NJ-RC	82	82	0.54	0.54	400	400
PM0603-R10J-RC	100	100	0.71	0.58	400	400
PM0603-R12J-RC	120	120	0.79	0.65	300	300
PM0603-R15J-RC	150	150	0.92	0.92	280	280
PM0603-R18J-RC	180	180	1.25	1.25	240	240
PM0603-R22J-RC	220	220	1.90	2.10	200	200
PM0603-R27J-RC	270	270	2.30	2.30	170	170

Product Dimensions

Revised PM0603

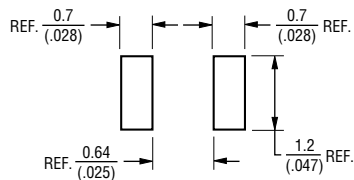


Original PM0603

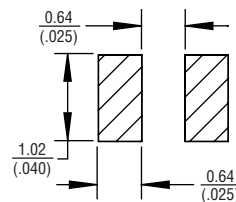


Pad Layout

Revised PM0603



Original PM0603



DIMENSIONS: $\frac{\text{MM}}{\text{(INCHES)}}$

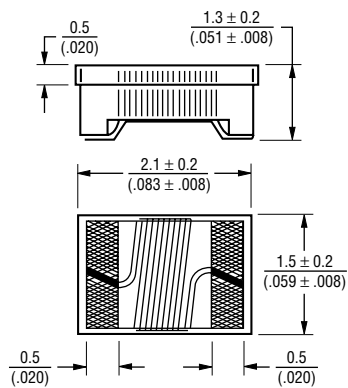
PM0805 Series

Electrical Specifications

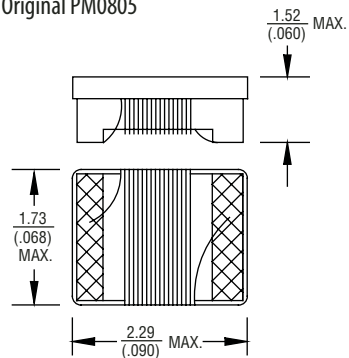
Part Number	Revised Value (nH)	Original Value (nH)	Revised DCR (Ω)	Original DCR (Ω)	Revised I _{rms} (mA)	Original I _{rms} (mA)
PM0805-2N8M-RC	2.8	2.8	0.06	0.06	800	800
PM0805-3N3M-RC	3.3	3.3	0.08	0.10	600	600
PM0805-5N6M-RC	5.6	5.6	0.08	0.10	600	600
PM0805-6N8M-RC	6.8	6.8	0.06	0.11	600	600
PM0805-8N2M-RC	8.2	8.2	0.06	0.12	600	600
PM0805-10NM-RC	10	10	0.08	0.10	600	600
PM0805-12NM-RC	12	12	0.08	0.15	600	600
PM0805-15NM-RC	15	15	0.08	0.17	600	600
PM0805-18NM-RC	18	18	0.08	0.20	600	600
PM0805-22NM-RC	22	22	0.10	0.22	600	500
PM0805-27NM-RC	27	27	0.12	0.25	600	500
PM0805-33NM-RC	33	33	0.15	0.27	500	500
PM0805-39NM-RC	39	39	0.18	0.29	500	500
PM0805-47NM-RC	47	47	0.15	0.31	500	500
PM0805-56NK-RC	56	56	0.25	0.34	500	500
PM0805-68NK-RC	68	68	0.27	0.38	500	400
PM0805-82NK-RC	82	82	0.32	0.42	500	400
PM0805-R10K-RC	100	100	0.43	0.46	400	400
PM0805-R12K-RC	120	120	0.48	0.51	400	400
PM0805-R15K-RC	150	150	0.67	0.56	400	400
PM0805-R18K-RC	180	180	0.85	0.78	350	400
PM0805-R22K-RC	220	220	1.10	1.00	300	400
PM0805-R27K-RC	270	270	1.46	1.46	250	300
PM0805-R33K-RC	330	330	1.65	1.65	200	300
PM0805-R39K-RC	390	390	2.20	2.20	170	290
PM0805-R56K-RC	560	560	1.90	2.45	230	170

Product Dimensions

Revised PM0805

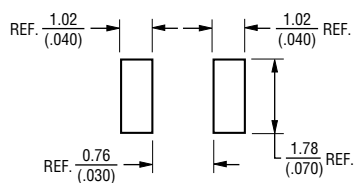


Original PM0805

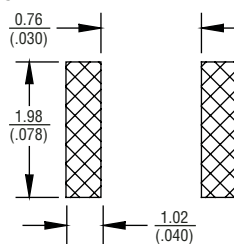


Pad Layout

Revised PM0805



Original PM0805



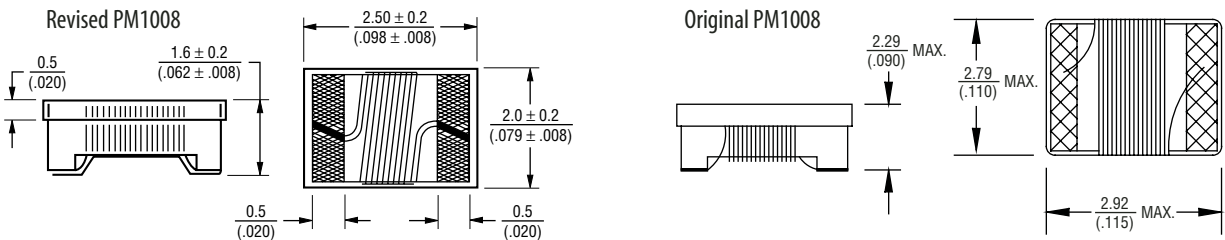
DIMENSIONS: $\frac{\text{MM}}{\text{(INCHES)}}$

PM1008 Series

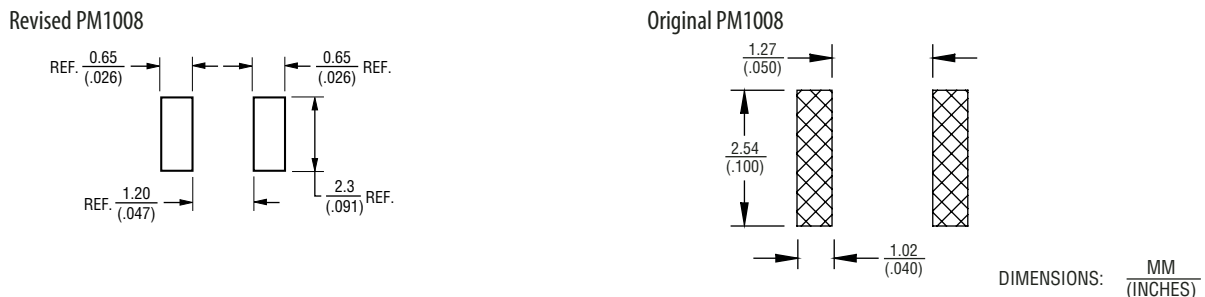
Electrical Specifications

Part Number	Revised Value (nH)	Original Value (nH)	Revised DCR (Ω)	Original DCR (Ω)	Revised Irms (mA)	Original Irms (mA)
PM1008-10NM-RC	10	10	0.08	0.08	600	1000
PM1008-12NM-RC	12	12	0.08	0.09	600	1000
PM1008-15NM-RC	15	15	0.08	0.10	500	1000
PM1008-18NM-RC	18	18	0.10	0.11	600	1000
PM1008-22NM-RC	22	22	0.10	0.12	600	1000
PM1008-27NM-RC	27	27	0.10	0.13	600	1000
PM1008-33NM-RC	33	33	0.10	0.14	600	1000
PM1008-39NM-RC	39	39	0.10	0.15	600	1000
PM1008-47NM-RC	47	47	0.10	0.16	600	1000
PM1008-56NK-RC	56	56	0.12	0.18	600	1000
PM1008-68NK-RC	68	68	0.15	0.20	600	1000
PM1008-82NK-RC	82	82	0.18	0.22	600	1000
PM1008-R10K-RC	100	100	0.18	0.56	500	650
PM1008-R12K-RC	120	120	0.20	0.68	500	650
PM1008-R15K-RC	150	150	0.22	0.70	500	580
PM1008-R18K-RC	180	180	0.33	0.77	500	620
PM1008-R22K-RC	220	220	0.45	0.84	500	500
PM1008-R27K-RC	270	270	0.75	0.91	500	500
PM1008-R33K-RC	330	330	0.90	1.05	500	450
PM1008-R39K-RC	390	390	1.20	1.12	400	470
PM1008-R47K-RC	470	470	1.19	1.19	470	470
PM1008-R56K-RC	560	560	1.33	1.33	400	400
PM1008-R68K-RC	680	680	1.47	1.47	400	400
PM1008-R82K-RC	820	820	1.61	1.61	360	400
PM1008-1R0K-RC	1000	1000	1.75	1.75	330	370
PM1008-1R2K-RC	1200	1200	2.0	2.0	280	340
PM1008-1R5K-RC	1500	1500	2.3	2.3	280	330
PM1008-1R8K-RC	1800	1800	2.6	2.6	270	300
PM1008-2R2K-RC	2200	2200	2.8	2.8	250	290
PM1008-2R7K-RC	2700	2700	1.7	3.2	195	290
PM1008-3R3K-RC	3300	3300	1.9	3.4	185	290
PM1008-3R9K-RC	3900	3900	2.1	3.6	180	260
PM1008-4R7K-RC	4700	4700	2.3	4.0	175	260
PM1008-5R6K-RC	5,600	5,600	4.2	7.0	240	200
PM1008-6R8K-RC	6,800	6,800	4.9	8.0	200	180
PM1008-8R2K-RC	8,200	8,200	6.0	9.5	170	150
PM1008-100K-RC	10,000	10,000	8.0	12.0	150	100

Product Dimensions



Pad Layout



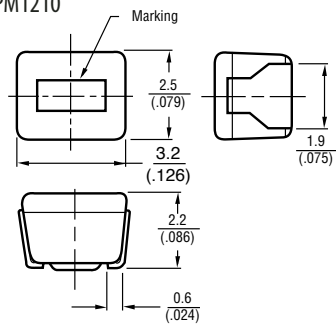
PM1210 Series

Electrical Specifications

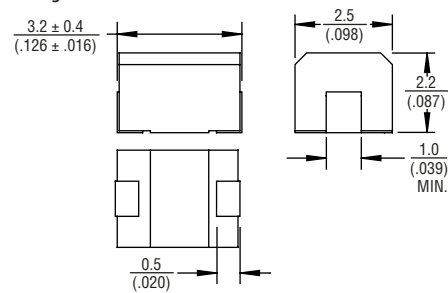
Part Number	Revised Value (μH)	Original Value (μH)	Revised DCR (Ω)	Original DCR (Ω)	Revised Irms (mA)	Original Irms (mA)
PM1210-1R0J-RC	1.0	1.0	0.69	0.70	230	400
PM1210-1R2J-RC	1.2	1.2	0.75	0.75	215	390
PM1210-1R5J-RC	1.5	1.5	0.75	0.85	210	370
PM1210-1R8J-RC	1.8	1.8	0.82	0.90	200	350
PM1210-2R2J-RC	2.2	2.2	0.95	1.0	190	320
PM1210-2R7J-RC	2.7	2.7	1.1	1.1	180	290
PM1210-3R3J-RC	3.3	3.3	1.2	1.2	180	260
PM1210-3R9J-RC	3.9	3.9	1.3	1.3	175	250
PM1210-4R7J-RC	4.7	4.7	1.5	1.7	165	220
PM1210-5R6J-RC	5.6	5.6	1.6	1.8	160	200
PM1210-6R8J-RC	6.8	6.8	1.8	2.0	150	180
PM1210-8R2J-RC	8.2	8.2	2.0	2.3	140	170
PM1210-100J-RC	10	10	2.1	2.5	140	150
PM1210-120J-RC	12	12	2.5	2.8	125	140
PM1210-150J-RC	15	15	2.8	3.2	120	130
PM1210-180J-RC	18	18	3.3	3.6	110	120
PM1210-220J-RC	22	22	3.7	4.0	105	110
PM1210-270J-RC	27	27	5.0	5.0	90	80
PM1210-330J-RC	33	33	5.6	5.6	85	70
PM1210-390J-RC	39	39	6.4	6.4	80	65
PM1210-470J-RC	47	47	7	7	75	60
PM1210-560J-RC	56	56	8	8	70	55
PM1210-680J-RC	68	68	9	9	65	50
PM1210-820J-RC	82	82	10	10	60	45
PM1210-101J-RC	100	100	10	10	60	40
PM1210-121J-RC	120	120	11	11	55	70
PM1210-151J-RC	150	150	15	15	50	65
PM1210-181J-RC	180	180	17	17	50	60
PM1210-221J-RC	220	220	21	21	45	50

Product Dimensions

Revised PM1210

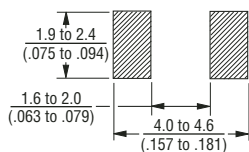


Original PM1210

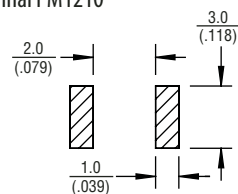


Pad Layout

Revised PM1210



Original PM1210



DIMENSIONS: $\frac{\text{MM}}{\text{(INCHES)}}$

PM1812 Series

Electrical Specifications

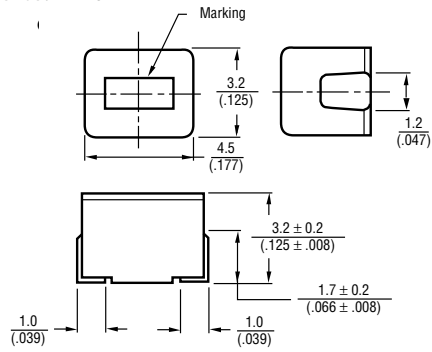
Part Number	Revised Value (μH)	Original Value (μH)	Revised DCR (Ω)	Original DCR (Ω)	Revised Irms (mA)	Original Irms (mA)
PM1812-R10K-RC	0.10	0.10	0.18	0.18	800	800
PM1812-R12K-RC	0.12	0.12	0.20	0.20	770	770
PM1812-R15K-RC	0.15	0.15	0.22	0.22	730	730
PM1812-R18K-RC	0.18	0.18	0.24	0.24	700	700
PM1812-R22K-RC	0.22	0.22	0.25	0.25	665	665
PM1812-R27K-RC	0.27	0.27	0.26	0.26	635	635
PM1812-R33K-RC	0.33	0.33	0.28	0.28	605	605
PM1812-R39K-RC	0.39	0.39	0.30	0.30	575	575
PM1812-R47K-RC	0.47	0.47	0.32	0.32	545	545
PM1812-R56K-RC	0.56	0.56	0.36	0.36	520	520
PM1812-R68K-RC	0.68	0.68	0.40	0.40	500	500
PM1812-R82K-RC	0.82	0.82	0.45	0.45	475	475
PM1812-1R0J-RC	1.0	1.0	0.50	0.50	450	450
PM1812-1R2J-RC	1.2	1.2	0.55	0.55	430	430
PM1812-1R5J-RC	1.5	1.5	0.60	0.60	410	410
PM1812-1R8J-RC	1.8	1.8	0.65	0.65	390	390
PM1812-2R2J-RC	2.2	2.2	0.70	0.70	380	380
PM1812-2R7J-RC	2.7	2.7	0.75	0.75	370	370
PM1812-3R3J-RC	3.3	3.3	0.80	0.80	355	355
PM1812-3R9J-RC	3.9	3.9	0.90	0.90	330	330
PM1812-4R7J-RC	4.7	4.7	1.0	1.0	315	315
PM1812-5R6J-RC	5.6	5.6	1.1	1.1	300	300
PM1812-6R8J-RC	6.8	6.8	1.2	1.2	285	285
PM1812-8R2J-RC	8.2	8.2	1.4	1.4	270	270
PM1812-10J-RC	10	10	1.6	1.6	250	250
PM1812-12J-RC	12	12	2.0	2.0	225	225
PM1812-15J-RC	15	15	2.5	2.5	200	200
PM1812-18J-RC	18	18	2.8	2.8	190	190
PM1812-22J-RC	22	22	3.2	3.2	180	180
PM1812-27J-RC	27	27	3.6	3.6	170	170
PM1812-33J-RC	33	33	4.0	4.0	160	160
PM1812-39J-RC	39	39	4.5	4.5	150	150
PM1812-47J-RC	47	47	5.0	5.0	140	140
PM1812-56J-RC	56	56	5.5	5.5	135	135
PM1812-68J-RC	68	68	6.0	6.0	130	130
PM1812-82J-RC	82	82	7.0	7.0	120	120
PM1812-101J-RC	100	100	8.0	8.0	110	110
PM1812-121J-RC	120	120	8.0	8.0	110	110
PM1812-151J-RC	150	150	9.0	9.0	105	105
PM1812-181J-RC	180	180	9.5	9.5	102	102
PM1812-221J-RC	220	220	10	10	100	100
PM1812-271J-RC	270	270	12	12	92	92
PM1812-331J-RC	330	330	14	14	85	85
PM1812-391J-RC	390	390	18	18	80	80
PM1812-471J-RC	470	470	26	26	62	62
PM1812-561J-RC	560	560	30	30	50	50
PM1812-681J-RC	680	680	30	30	50	50
PM1812-821J-RC	820	820	35	35	30	30
PM1812-102J-RC	1000	1000	40	40	30	30

~ Continued on next page ~

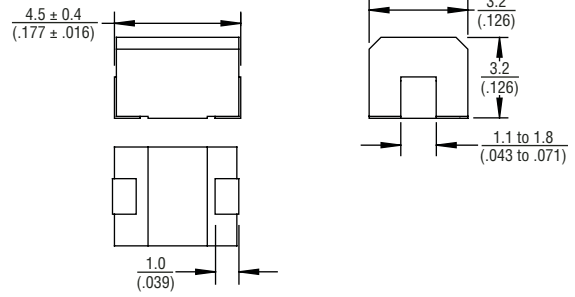
PM1812 Series (continued)

Product Dimensions

Revised PM1812

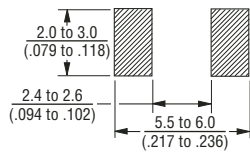


Original PM1812

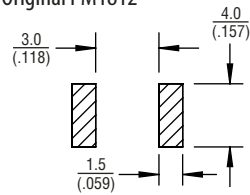


Pad Layout

Revised PM1812



Original PM1812



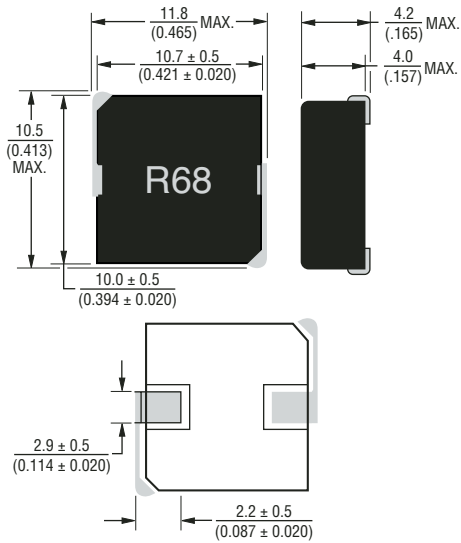
PM1038S Series

Electrical Specifications

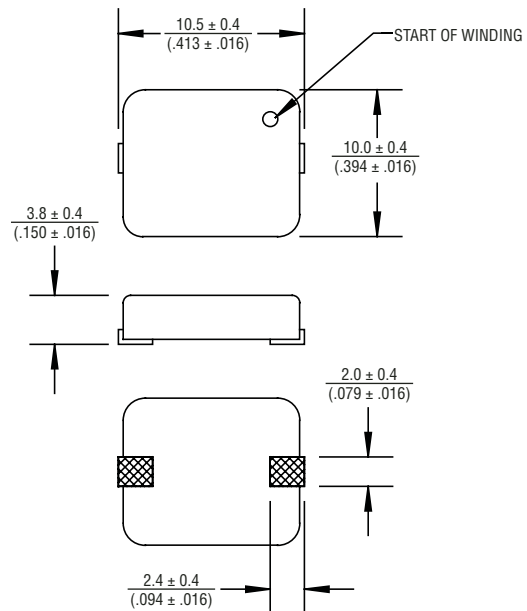
Part Number	Revised Value (μH)	Original Value (μH)	Revised DCR (Ω)	Original DCR (Ω)	Revised Irms (A)	Original Irms (A)	Revised Isat (A)	Original Isat (A)
PM1038S-R15M-RC	0.15	0.15	1.3	1.3	34	30	Unspecified	Unspecified
PM1038S-R39M-RC	0.39	0.39	1.4	1.4	24	24	Unspecified	Unspecified
PM1038S-R50M-RC	0.50	0.50	1.9	1.9	23	23	Unspecified	Unspecified
PM1038S-R75M-RC	0.75	0.75	2.5	3.5	20	20	Unspecified	Unspecified
PM1038S-1R2M-RC	1.2	1.2	4.7	4.7	22	17	Unspecified	Unspecified
PM1038S-1R7M-RC	1.7	1.7	7.5	7.9	18	15	Unspecified	Unspecified
PM1038S-2R5M-RC	2.5	2.5	8.7	8.7	11.5	11.5	Unspecified	Unspecified

Product Dimensions

Revised PM1038S

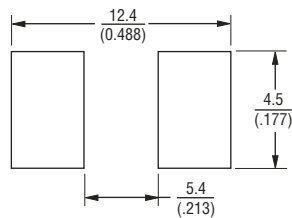


Original PM1038S

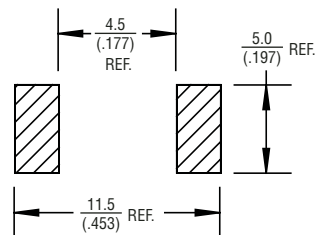


Pad Layout

Revised PM1038S



Original PM1038S



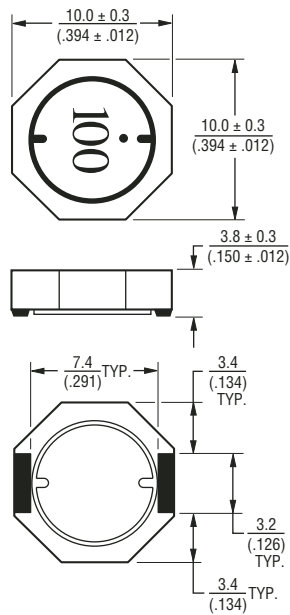
PM104SH Series

Electrical Specifications

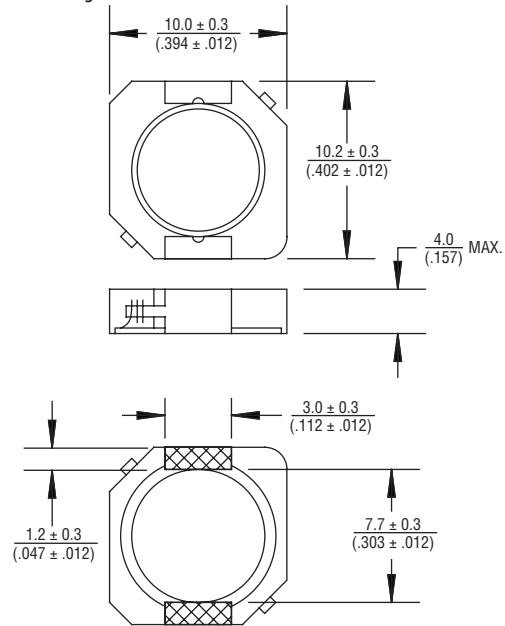
Part Number	Revised Value (μH)	Original Value (μH)	Revised DCR (Ω)	Original DCR (Ω)	Revised I _{rms} (A)	Original I _{rms} (A)	Revised I _{sat} (A)	Original I _{sat} (A)
PM104SH-1R5-RC	1.5	1.5	0.0052	0.0080	7.20	6.50	7.00	10.00
PM104SH-2R5-RC	2.5	2.5	0.0125	0.0100	6.10	6.10	6.10	7.50
PM104SH-3R8-RC	3.8	3.8	0.0150	0.0130	5.50	5.50	5.50	6.00
PM104SH-5R2-RC	5.2	5.2	0.0220	0.0220	4.60	5.40	4.80	5.50
PM104SH-7R0-RC	7.0	7.0	0.0270	0.0270	3.90	4.50	4.00	4.80
PM104SH-100-RC	10	10	0.0250	0.0350	3.80	3.80	3.60	4.40
PM104SH-150-RC	15	15	0.0370	0.0500	2.80	3.10	2.70	3.60
PM104SH-220-RC	22	22	0.0558	0.0730	2.20	2.50	2.30	2.90
PM104SH-330-RC	33	33	0.0860	0.0930	1.80	2.20	1.80	2.30
PM104SH-470-RC	47	47	0.1210	0.1280	1.65	1.90	1.60	2.10
PM104SH-680-RC	68	68	0.1660	0.2130	1.10	1.42	1.30	1.50
PM104SH-101-RC	100	100	0.2200	0.3040	1.30	1.25	1.10	1.35
PM104SH-151-RC	150	150	0.3580	0.5060	0.90	0.85	0.80	1.15
PM104SH-221-RC	220	220	0.5650	0.7560	0.65	0.70	0.65	0.92
PM104SH-331-RC	330	330	0.7730	1.0900	0.55	0.52	0.52	0.70

Product Dimensions

Revised PM104SH

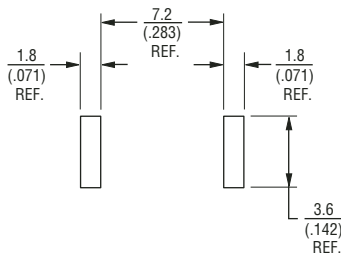


Original PM104SH

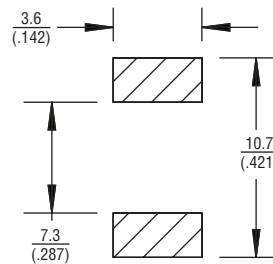


Pad Layout

Revised PM104SH



Original PM104SH



DIMENSIONS: $\frac{\text{MM}}{\text{(INCHES)}}$

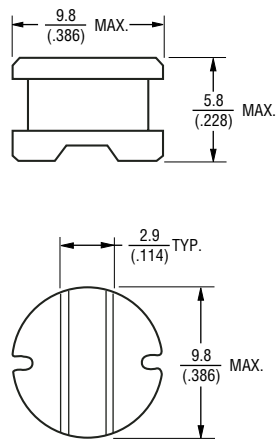
PM105 Series

Electrical Specifications

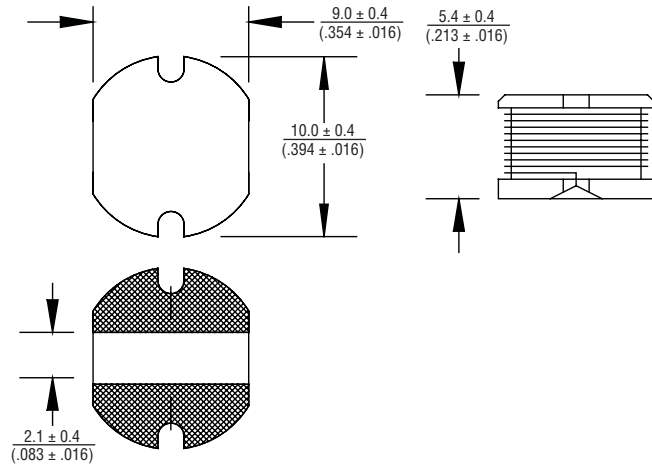
Part Number	Revised Value (μH)	Original Value (μH)	Revised DCR (Ω)	Original DCR (Ω)	Revised Irms (A)	Original Irms (A)	Revised Isat (A)	Original Isat (A)
PM105-100M-RC	10	10	0.06	0.06	2.60	2.60	5.10	2.60
PM105-120M-RC	12	12	0.07	0.07	2.45	2.45	4.50	2.45
PM105-150M-RC	15	15	0.08	0.08	2.25	2.27	4.00	2.27
PM105-180M-RC	18	18	0.09	0.09	2.15	2.15	3.80	2.15
PM105-220M-RC	22	22	0.10	0.10	1.95	1.96	3.50	1.96
PM105-270K-RC	27	27	0.11	0.11	1.75	1.76	3.40	1.76
PM105-330M-RC	33	33	0.12	0.12	1.50	1.50	2.90	1.50
PM105-390M-RC	39	39	0.14	0.14	1.35	1.37	2.60	1.37
PM105-470K-RC	47	47	0.17	0.17	1.25	1.28	2.30	1.28
PM105-560K-RC	56	56	0.19	0.19	1.15	1.17	2.10	1.17
PM105-680K-RC	68	68	0.22	0.22	1.10	1.11	2.00	1.11
PM105-820K-RC	82	82	0.25	0.25	1.00	1.00	1.90	1.00
PM105-101K-RC	100	100	0.35	0.35	0.97	0.97	1.70	0.97
PM105-121K-RC	120	120	0.40	0.40	0.89	0.89	1.50	0.89
PM105-151K-RC	150	150	0.47	0.47	0.78	0.78	1.40	0.78
PM105-181K-RC	180	180	0.63	0.63	0.72	0.72	1.30	0.72
PM105-221K-RC	220	220	0.73	0.73	0.66	0.66	1.10	0.66
PM105-271K-RC	270	270	0.97	0.97	0.57	0.57	1.00	0.57
PM105-331K-RC	330	330	1.15	1.15	0.52	0.52	0.85	0.52
PM105-391K-RC	390	390	1.30	1.30	0.48	0.48	0.80	0.48
PM105-471K-RC	470	470	1.48	1.48	0.42	0.42	0.80	0.42
PM105-561K-RC	560	560	1.90	1.90	0.33	0.33	0.66	0.33
PM105-681K-RC	680	680	2.25	2.25	0.28	0.28	0.65	0.28
PM105-821K-RC	820	820	2.55	2.55	0.24	0.24	0.56	0.24

Product Dimensions

Revised PM105

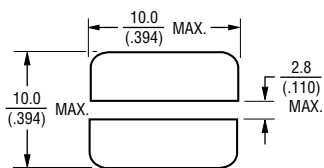


Original PM105

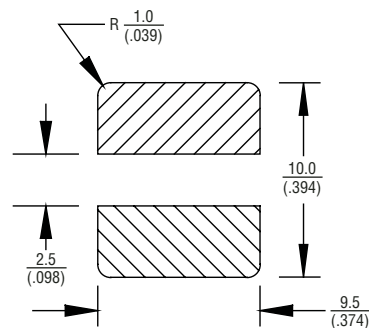


Pad Layout

Revised PM105



Original PM105



DIMENSIONS: $\frac{\text{MM}}{\text{(INCHES)}}$

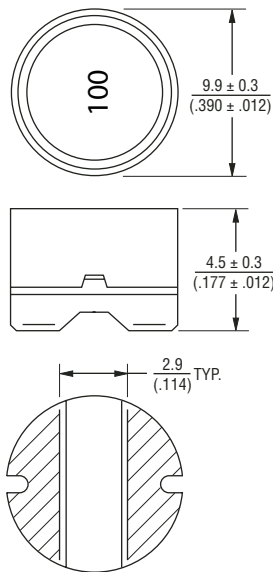
PM105SB Series

Electrical Specifications

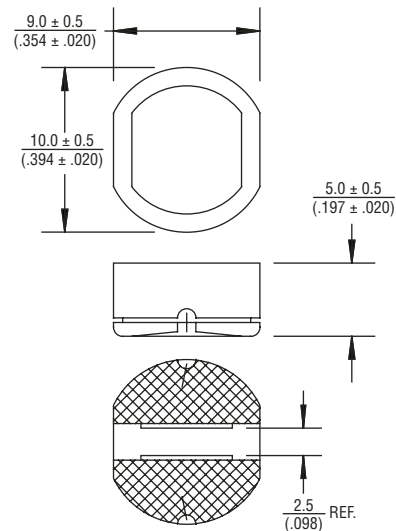
Part Number	Revised Value (μH)	Original Value (μH)	Revised DCR (Ω)	Original DCR (Ω)	Revised Irms (A)	Original Irms (A)	Revised Isat (A)	Original Isat (A)
PM105SB-100M-RC	10	10	0.06	0.06	2.10	Unspecified	2.10	2.06
PM105SB-120M-RC	12	12	0.07	0.07	1.90	Unspecified	1.90	1.94
PM105SB-150M-RC	15	15	0.07	0.07	1.70	Unspecified	1.70	1.72
PM105SB-180M-RC	18	18	0.08	0.08	1.60	Unspecified	1.60	1.58
PM105SB-220M-RC	22	22	0.08	0.08	1.40	Unspecified	1.40	1.42
PM105SB-270M-RC	27	27	0.10	0.10	1.30	Unspecified	1.30	1.32
PM105SB-330L-RC	33	33	0.11	0.11	1.20	Unspecified	1.20	1.16
PM105SB-390L-RC	39	39	0.12	0.12	1.10	Unspecified	1.10	1.10
PM105SB-470L-RC	47	47	0.14	0.14	1.00	Unspecified	1.00	1.00
PM105SB-560L-RC	56	56	0.19	0.19	0.93	Unspecified	0.93	0.93
PM105SB-680L-RC	68	68	0.21	0.21	0.85	Unspecified	0.85	0.85
PM105SB-820L-RC	82	82	0.28	0.28	0.79	Unspecified	0.79	0.79
PM105SB-101K-RC	100	100	0.34	0.34	0.72	Unspecified	0.72	0.72
PM105SB-121K-RC	120	120	0.37	0.37	0.63	Unspecified	0.63	0.63
PM105SB-151K-RC	150	150	0.51	0.51	0.55	Unspecified	0.55	0.55
PM105SB-181K-RC	180	180	0.57	0.57	0.50	Unspecified	0.50	0.50
PM105SB-221K-RC	220	220	0.78	0.78	0.47	Unspecified	0.47	0.47
PM105SB-271K-RC	270	270	0.87	0.87	0.41	Unspecified	0.41	0.41
PM105SB-331K-RC	330	330	1.20	1.20	0.37	Unspecified	0.37	0.37
PM105SB-391K-RC	390	390	1.34	1.34	0.35	Unspecified	0.35	0.35
PM105SB-471K-RC	470	470	1.50	1.50	0.33	Unspecified	0.33	0.33

Product Dimensions

Revised PM105SB

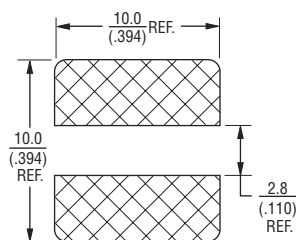


Original PM105SB

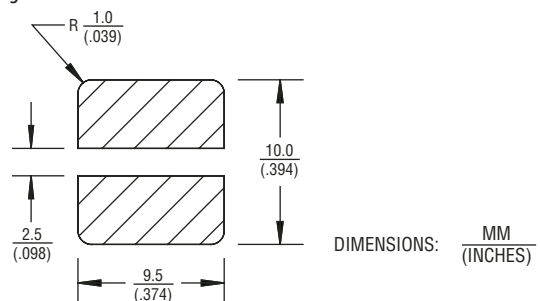


Pad Layout

Revised PM105SB



Original PM105SB

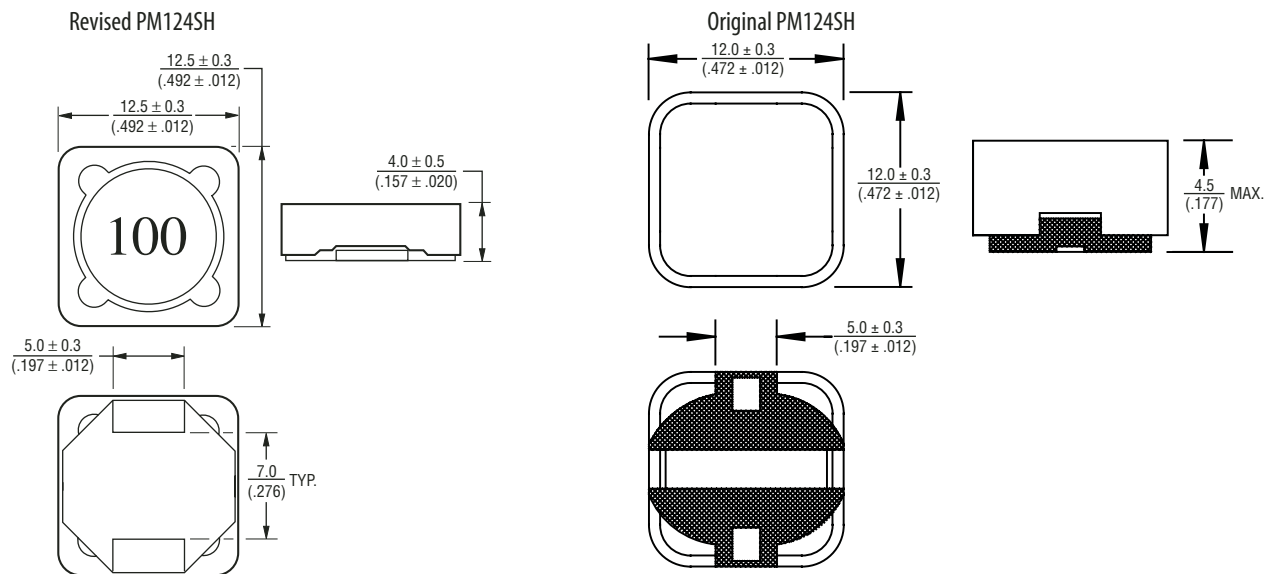


PM124SH Series

Electrical Specifications

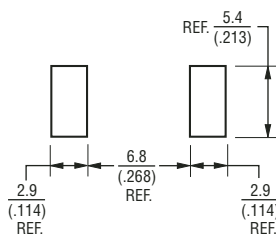
Part Number	Revised Value (μH)	Original Value (μH)	Revised DCR ($\text{m}\Omega$)	Original DCR ($\text{m}\Omega$)	Revised Irms (A)	Original Irms (A)	Revised Isat (A)	Original Isat (A)
PM124SH-3R9Y-RC	3.9	3.9	15	15	6.35	6.50	6.20	6.50
PM124SH-4R7M-RC	4.7	4.7	18	18	6.00	6.00	5.60	5.60
PM124SH-6R8M-RC	6.8	6.8	23	18	5.20	5.70	4.70	5.70
PM124SH-8R2M-RC	8.2	8.2	27	26	4.50	4.60	4.30	4.60
PM124SH-100M-RC	10	10	32	28	4.00	4.50	4.00	4.50
PM124SH-120M-RC	12	12	38	38	3.80	4.00	3.60	4.00
PM124SH-150M-RC	15	15	47	50	3.50	3.20	3.20	3.20
PM124SH-180M-RC	18	18	55	57	3.20	3.10	3.00	3.10
PM124SH-220M-RC	22	22	68	66	3.00	2.90	2.60	2.90
PM124SH-270M-RC	27	27	85	80	2.55	2.80	2.35	2.80
PM124SH-330M-RC	33	33	97	97	2.30	2.70	2.10	2.70
PM124SH-390M-RC	39	39	120	130	2.15	2.10	2.00	2.10
PM124SH-470M-RC	47	47	135	150	2.00	1.90	1.80	1.90
PM124SH-560M-RC	56	56	170	190	1.80	1.80	1.65	1.80
PM124SH-680M-RC	68	68	200	220	1.50	1.50	1.50	1.50
PM124SH-820M-RC	82	82	250	260	1.35	1.30	1.35	1.30
PM124SH-101M-RC	100	100	300	310	1.25	1.20	1.20	1.20
PM124SH-121M-RC	120	120	370	380	1.20	1.10	1.15	1.10
PM124SH-151M-RC	150	150	440	530	1.10	0.95	1.05	0.95
PM124SH-181M-RC	180	180	550	620	0.98	0.85	0.95	0.85
PM124SH-221M-RC	220	220	660	700	0.92	0.80	0.90	0.80
PM124SH-271M-RC	270	270	780	880	0.80	0.60	0.80	0.60
PM124SH-331M-RC	330	330	950	990	0.75	0.50	0.75	0.50

Product Dimensions

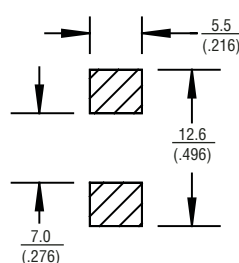


Pad Layout

Revised PM124SH



Original PM124SH



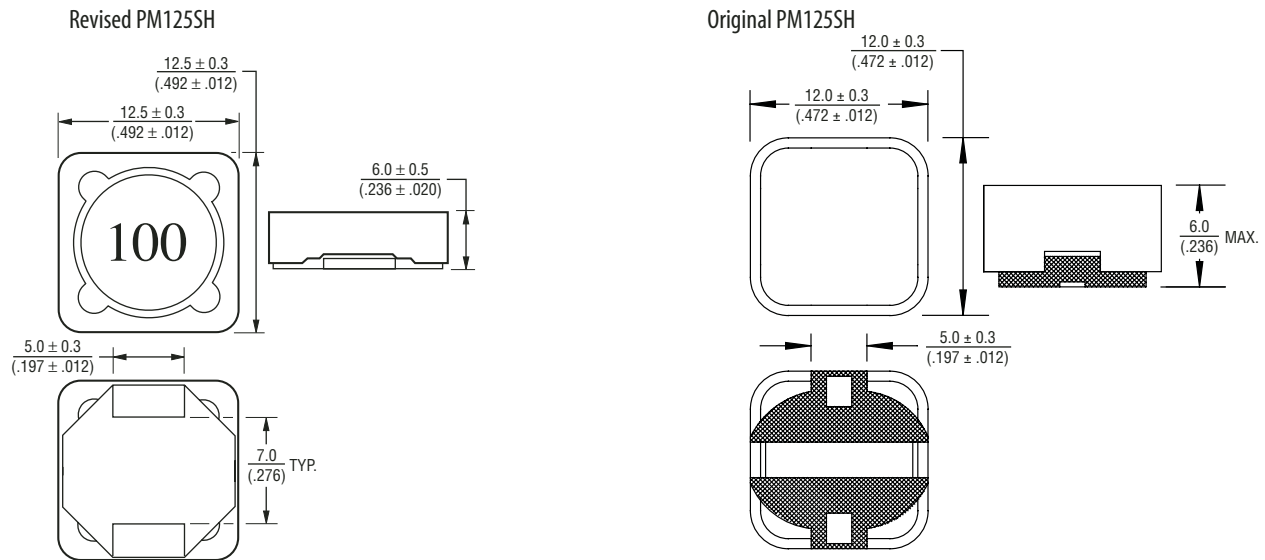
DIMENSIONS: $\frac{\text{MM}}{\text{(INCHES)}}$

PM125SH Series

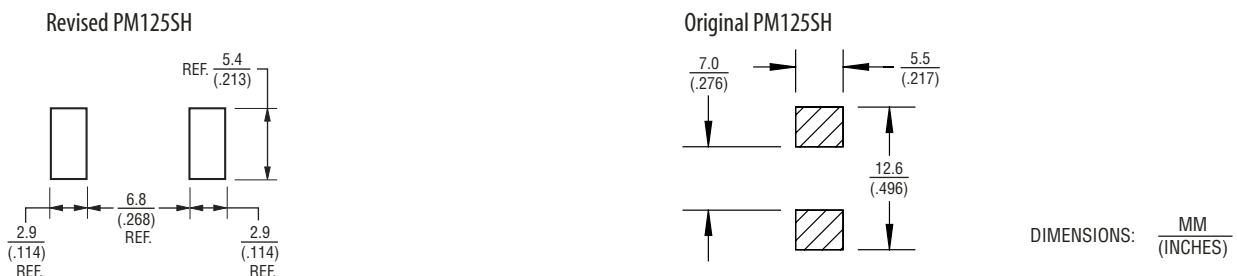
Electrical Specifications

Part Number	Revised Value (μH)	Original Value (μH)	Revised DCR ($\text{m}\Omega$)	Original DCR ($\text{m}\Omega$)	Revised I_{rms} (A)	Original I_{rms} (A)	Revised I_{sat} (A)	Original I_{sat} (A)
PM125SH-100M-RC	10	10	20	25	5.50	4.0	5.50	4.00
PM125SH-120M-RC	12	12	23	27	5.20	3.5	5.00	3.50
PM125SH-150M-RC	15	15	27	30	5.00	3.3	4.60	3.30
PM125SH-180M-RC	18	18	36	34	4.20	3.0	3.90	3.00
PM125SH-220M-RC	22	22	43	36	4.00	2.8	3.70	2.80
PM125SH-270M-RC	27	27	45	51	3.60	2.3	3.30	2.30
PM125SH-330M-RC	33	33	60	57	3.00	2.1	2.80	2.10
PM125SH-390M-RC	39	39	70	68	2.80	2.0	2.70	2.00
PM125SH-470M-RC	47	47	86	75	2.60	1.8	2.50	1.80
PM125SH-560M-RC	56	56	100	110	2.30	1.7	2.20	1.70
PM125SH-680M-RC	68	68	110	120	2.10	1.5	2.10	1.50
PM125SH-820M-RC	82	82	145	140	1.95	1.4	1.90	1.40
PM125SH-101M-RC	100	100	180	160	1.70	1.3	1.70	1.30
PM125SH-121M-RC	120	120	210	170	1.65	1.1	1.65	1.10
PM125SH-151M-RC	150	150	260	230	1.55	1.0	1.55	1.00
PM125SH-181M-RC	180	180	320	290	1.40	0.90	1.40	0.90
PM125SH-221M-RC	220	220	380	400	1.38	0.80	1.30	0.80
PM125SH-271M-RC	270	270	450	460	1.30	0.75	1.20	0.75
PM125SH-331M-RC	330	330	580	510	1.15	0.68	1.10	0.68
PM125SH-391M-RC	390	390	700	690	1.08	0.65	1.00	0.65
PM125SH-471M-RC	470	470	820	770	0.95	0.58	0.90	0.58
PM125SH-561M-RC	560	560	1000	860	0.88	0.54	0.80	0.54
PM125SH-681M-RC	680	680	1150	1200	0.80	0.48	0.75	0.48
PM125SH-821M-RC	820	820	1500	1340	0.73	0.43	0.63	0.43
PM125SH-102M-RC	1000	1000	1700	1530	0.68	0.40	0.60	0.40

Product Dimensions



Pad Layout



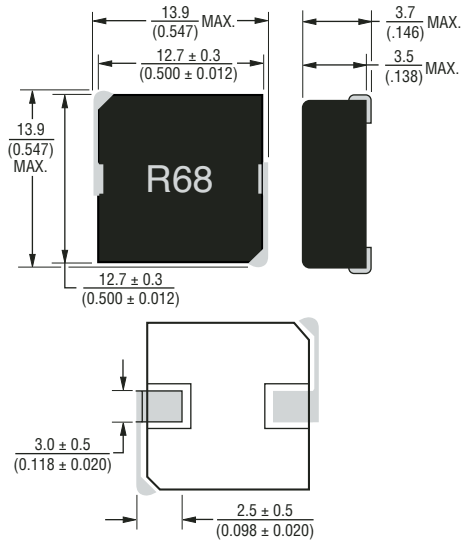
PM12639S Series

Electrical Specifications

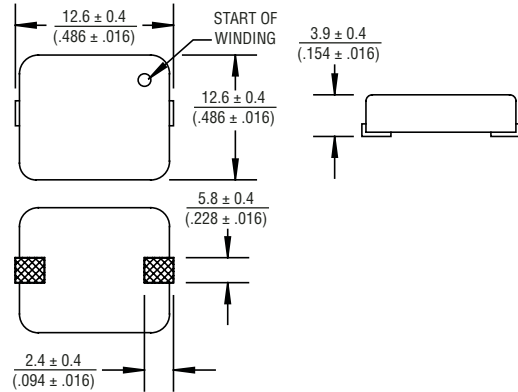
Part Number	Revised Value (μH)	Original Value (μH)	Revised DCR ($\text{m}\Omega$)	Original DCR ($\text{m}\Omega$)	Revised I _{rms} (A)	Original I _{rms} (A)	Revised I _{sat} (A)	Original I _{sat} (A)
PM12639S-R67M-RC	0.67	0.67	2.5	2.5	28	23	Unspecified	Unspecified
PM12639S-1R2M-RC	1.2	1.2	4.5	4.5	21	18.5	Unspecified	Unspecified

Product Dimensions

Revised PM12639S

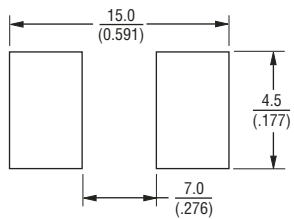


Original PM12639S

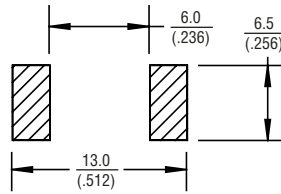


Pad Layout

Revised PM12639S



Original PM12639S



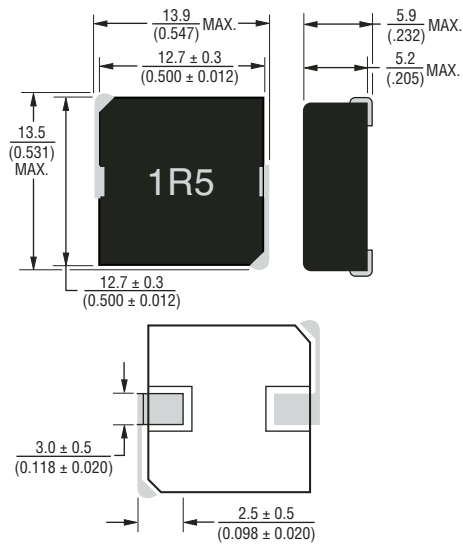
PM12645S / PM12651S Series

Electrical Specifications

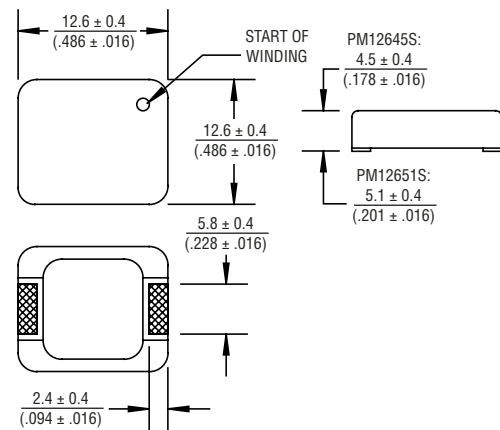
Part Number	Revised Value (μH)	Original Value (μH)	Revised DCR ($\text{m}\Omega$)	Original DCR ($\text{m}\Omega$)	Revised I _{rms} (A)	Original I _{rms} (A)	Revised Isat (A)	Original Isat (A)
PM12651S-R50M-RC	0.5	0.5	1.5	1.1	36	24	Unspecified	Unspecified
PM12645S-1R2M-RC	1.2	1.2	3.3	1.8	27	35	Unspecified	Unspecified
PM12645S-1R8M-RC	1.8	1.8	4.7	3.5	21	16	Unspecified	Unspecified
PM12645S-2R7M-RC	2.7	2.7	7.3	4.4	17	15	Unspecified	Unspecified
PM12651S-4R7M-RC	4.7	4.7	15	7.2	12	12	Unspecified	Unspecified
PM12651S-9R0M-RC	9.0	9.0	22.5	14.9	10	7.5	Unspecified	Unspecified

Product Dimensions

Revised PM1645S / PM12651S

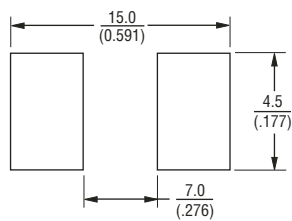


Original PM1645S / PM12651S

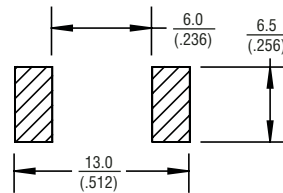


Pad Layout

Revised PM1645S / PM12651S



Original PM1645S / PM12651S



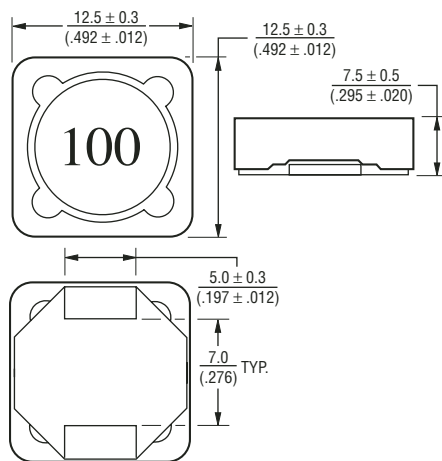
PM127SH Series

Electrical Specifications

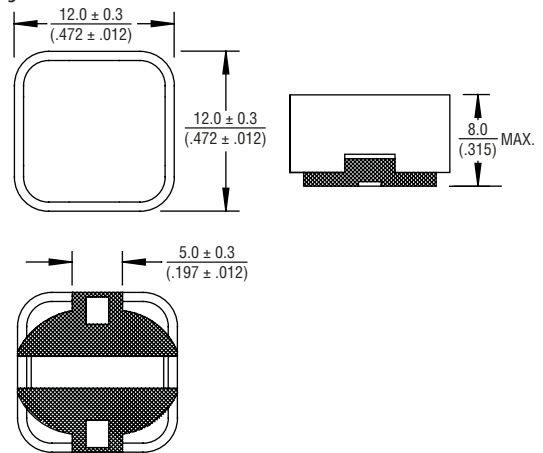
Part Number	Revised Value (μH)	Original Value (μH)	Revised DCR ($\text{m}\Omega$)	Original DCR ($\text{m}\Omega$)	Revised Irms (A)	Original Irms (A)	Revised Isat (A)	Original Isat (A)
PM127SH-1R2N-RC	1.2	1.2	7	7	9.8	9.8	Unspecified	Unspecified
PM127SH-2R4N-RC	2.4	2.4	10	12	9.2	8.0	Unspecified	Unspecified
PM127SH-3R5N-RC	3.5	3.5	12	14	8.8	7.5	Unspecified	Unspecified
PM127SH-4R7N-RC	4.7	4.7	15.5	16	8.2	6.8	Unspecified	Unspecified
PM127SH-6R1N-RC	6.1	6.1	18	18	6.6	6.6	Unspecified	Unspecified
PM127SH-7R6N-RC	7.6	7.6	20	20	5.9	5.9	Unspecified	Unspecified
PM127SH-100M-RC	10	10	19.5	22	6.0	5.4	Unspecified	Unspecified
PM127SH-120M-RC	12	12	28	24	5.6	4.9	Unspecified	Unspecified
PM127SH-150M-RC	15	15	28.5	27	5.2	4.5	Unspecified	Unspecified
PM127SH-180M-RC	18	18	35	39	4.8	3.9	Unspecified	Unspecified
PM127SH-220M-RC	22	22	38.6	43	4.3	3.6	Unspecified	Unspecified
PM127SH-270M-RC	27	27	52	46	3.9	3.4	Unspecified	Unspecified
PM127SH-330M-RC	33	33	57	65	3.5	3.0	Unspecified	Unspecified
PM127SH-390M-RC	39	39	70	73	3.2	2.75	Unspecified	Unspecified
PM127SH-470M-RC	47	47	80	100	2.9	2.50	Unspecified	Unspecified
PM127SH-560M-RC	56	56	100	110	2.6	2.35	Unspecified	Unspecified
PM127SH-680M-RC	68	68	120	140	2.4	2.10	Unspecified	Unspecified
PM127SH-820M-RC	82	82	130	160	2.3	1.95	Unspecified	Unspecified
PM127SH-101M-RC	100	100	150	220	2.1	1.70	Unspecified	Unspecified
PM127SH-121M-RC	120	120	200	250	1.95	1.60	Unspecified	Unspecified
PM127SH-151M-RC	150	150	270	280	1.85	1.42	Unspecified	Unspecified
PM127SH-181M-RC	180	180	300	350	1.75	1.30	Unspecified	Unspecified
PM127SH-221M-RC	220	220	400	390	1.60	1.16	Unspecified	Unspecified
PM127SH-271M-RC	270	270	450	560	1.20	1.06	Unspecified	Unspecified
PM127SH-331M-RC	330	330	600	640	1.10	0.95	Unspecified	Unspecified
PM127SH-391M-RC	390	390	680	700	1.00	0.88	Unspecified	Unspecified
PM127SH-471M-RC	470	470	880	980	0.90	0.79	Unspecified	Unspecified
PM127SH-561M-RC	560	560	960	1070	0.80	0.73	Unspecified	Unspecified
PM127SH-681M-RC	680	680	1300	1460	0.75	0.67	Unspecified	Unspecified
PM127SH-821M-RC	820	820	1500	1640	0.70	0.60	Unspecified	Unspecified
PM127SH-102M-RC	1000	1000	1700	1820	0.68	0.55	Unspecified	Unspecified

Product Dimensions

Revised PM127SH

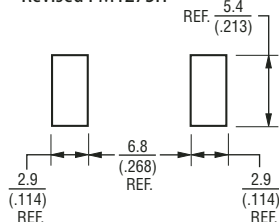


Original PM127SH

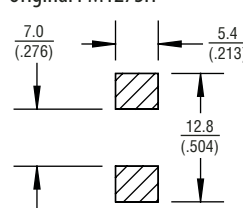


Pad Layout

Revised PM127SH



Original PM127SH



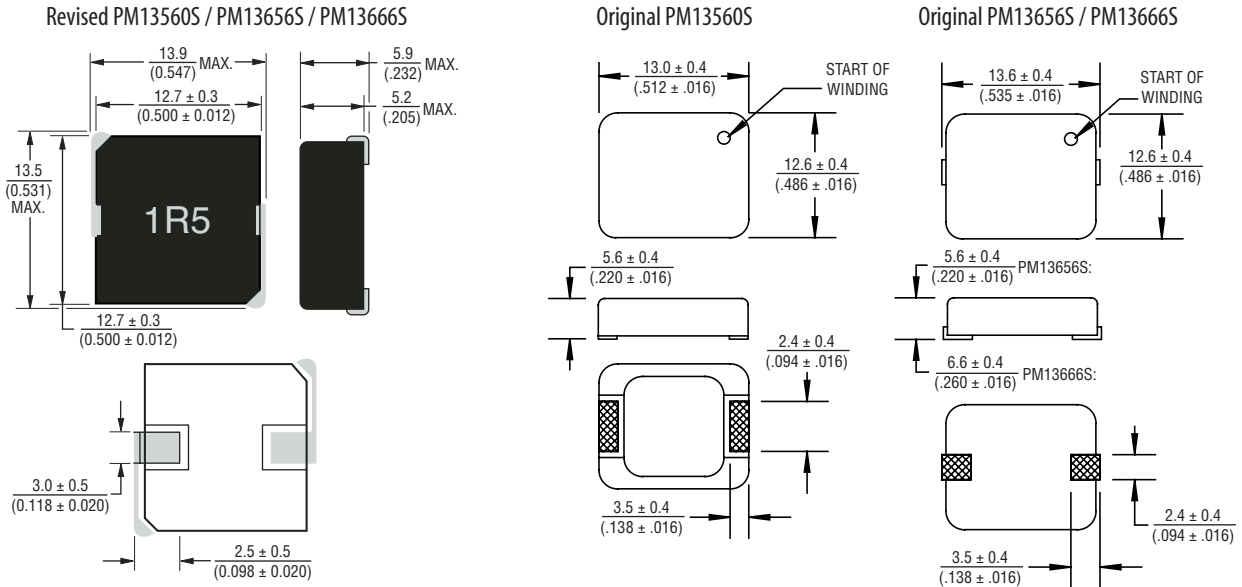
DIMENSIONS: $\frac{\text{MM}}{\text{(INCHES)}}$

PM13560S / PM13656S / PM13666S Series

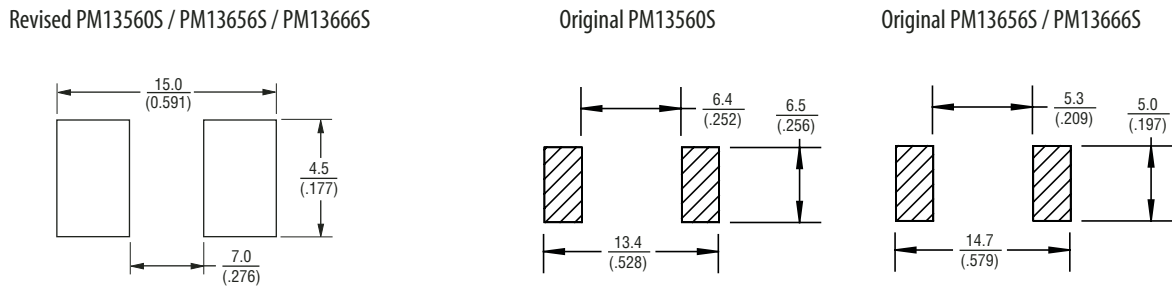
Electrical Specifications

Part Number	Revised Value (μ H)	Original Value (μ H)	Revised DCR ($m\Omega$)	Original DCR ($m\Omega$)	Revised Irms (A)	Original Irms (A)	Revised Isat (A)	Original Isat (A)
PM13656S-R22M-RC	0.22	0.22	1.0	0.54	34	45	Unspecified	Unspecified
PM13656S-R50M-RC	0.50	0.5	1.5	0.88	36	40	Unspecified	Unspecified
PM13666S-1R0M-RC	1.0	1.0	2.5	1.2	29	25	Unspecified	Unspecified
PM13560S-6R0M-RC	6.0	6.0	10	10.7	9.5	9.5	Unspecified	Unspecified
PM13560S-100M-RC	10	10	25.5	14.9	9	7.5	Unspecified	Unspecified

Product Dimensions



Pad Layout



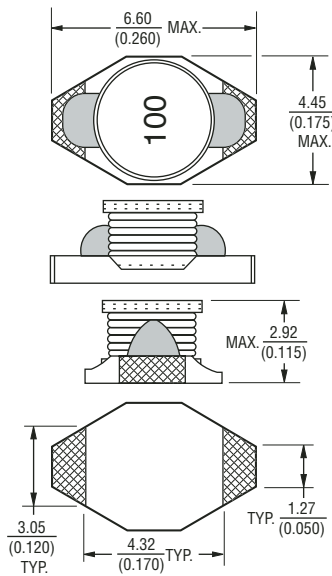
PM1608 Series

Electrical Specifications

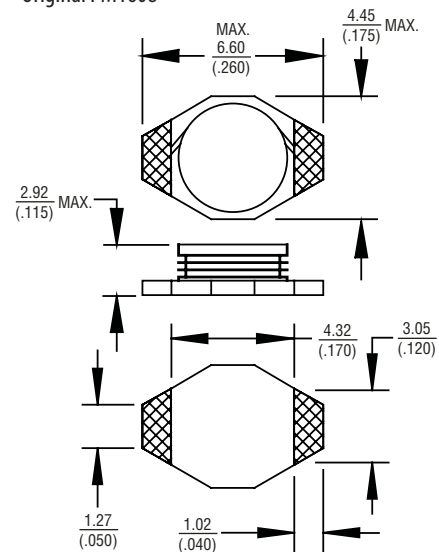
Part Number	Revised Value (μH)	Original Value (μH)	Revised DCR (Ω)	Original DCR (Ω)	Revised Irms (A)	Original Irms (A)	Revised Isat (A)	Original Isat (A)
PM1608-1R0M-RC	1.0	1.0	0.05	0.05	2.9	2.9	2.9	2.9
PM1608-1R5M-RC	1.5	1.5	0.05	0.05	2.8	2.8	2.6	2.6
PM1608-2R2M-RC	2.2	2.2	0.07	0.07	2.4	2.4	2.3	2.3
PM1608-3R3M-RC	3.3	3.3	0.08	0.08	2.0	2.0	2.0	2.0
PM1608-4R7M-RC	4.7	4.7	0.09	0.09	1.5	1.5	1.5	1.5
PM1608-6R8M-RC	6.8	6.8	0.13	0.13	1.4	1.4	1.2	1.2
PM1608-100M-RC	10	10	0.16	0.16	1.1	1.1	1.1	1.1
PM1608-150M-RC	15	15	0.23	0.23	1.0	1.0	0.90	0.90
PM1608-220M-RC	22	22	0.37	0.37	0.80	0.80	0.70	0.70
PM1608-330M-RC	33	33	0.51	0.51	0.60	0.60	0.58	0.58
PM1608-470M-RC	47	47	0.64	0.64	0.50	0.50	0.50	0.50
PM1608-680M-RC	68	68	0.86	0.86	0.40	0.40	0.40	0.40
PM1608-101M-RC	100	100	1.3	1.27	0.30	0.30	0.31	0.31
PM1608-151M-RC	150	150	2.0	2.00	0.25	0.25	0.27	0.27
PM1608-221M-RC	220	220	3.2	2.65	0.20	0.20	0.22	0.22
PM1608-331M-RC	330	330	3.8	3.80	0.16	0.16	0.18	0.18
PM1608-471M-RC	470	470	5.1	5.06	0.15	0.15	0.16	0.16
PM1608-681M-RC	680	680	9.2	9.20	0.12	0.12	0.14	0.14
PM1608-102M-RC	1000	1000	13.8	13.80	0.07	0.07	0.10	0.10

Product Dimensions

Revised PM1608

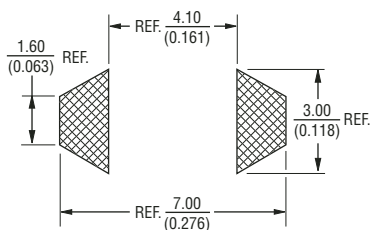


Original PM1608

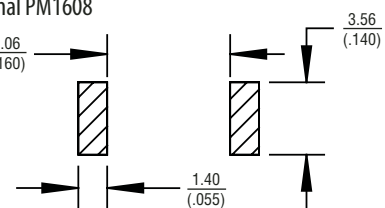


Pad Layout

Revised PM1608



Original PM1608



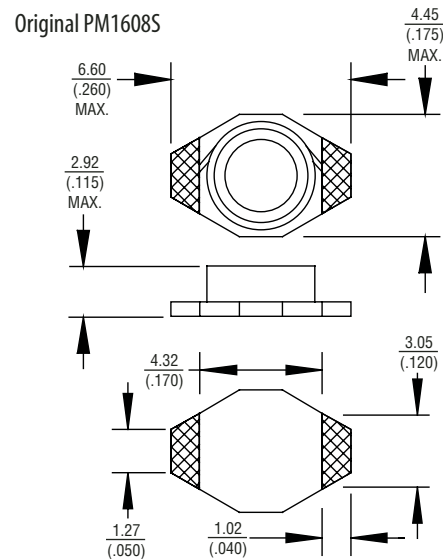
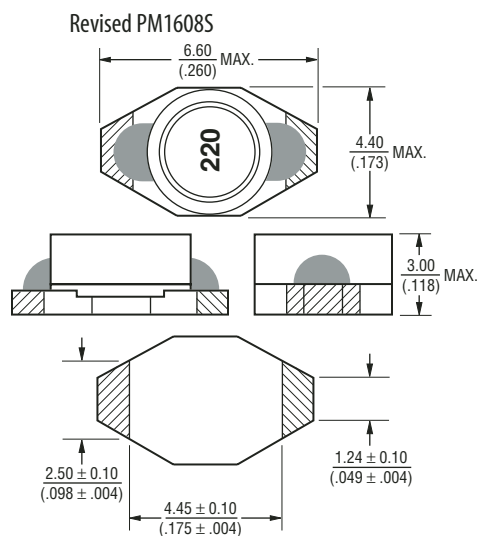
DIMENSIONS: $\frac{\text{MM}}{\text{(INCHES)}}$

PM1608S Series

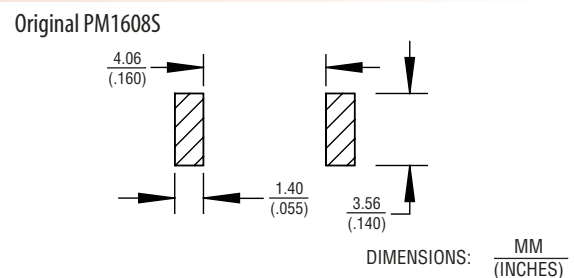
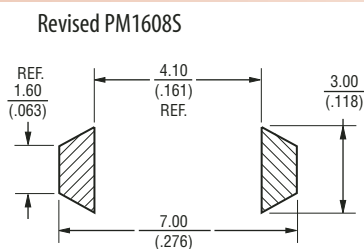
Electrical Specifications

Part Number	Revised Value (μH)	Original Value (μH)	Revised DCR (Ω)	Original DCR (Ω)	Revised Irms (A)	Original Irms (A)	Revised Isat (A)	Original Isat (A)
PM1608S-1R0M-RC	1.0	1.0	0.040	0.040	3.0	3.0	Unspecified	Unspecified
PM1608S-1R5M-RC	1.5	1.5	0.045	0.040	2.8	2.8	Unspecified	Unspecified
PM1608S-2R2M-RC	2.2	2.2	0.050	0.050	1.8	1.8	Unspecified	Unspecified
PM1608S-3R3M-RC	3.3	3.3	0.055	0.055	1.6	1.6	Unspecified	Unspecified
PM1608S-4R7M-RC	4.7	4.7	0.060	0.060	1.4	1.4	Unspecified	Unspecified
PM1608S-6R8M-RC	6.8	6.8	0.065	0.065	1.2	1.2	Unspecified	Unspecified
PM1608S-100M-RC	10	10	0.075	0.075	1.0	1.0	Unspecified	Unspecified
PM1608S-150M-RC	15	15	0.09	0.090	0.80	0.80	Unspecified	Unspecified
PM1608S-220M-RC	22	22	0.11	0.110	0.70	0.70	Unspecified	Unspecified
PM1608S-330M-RC	33	33	0.19	0.190	0.60	0.60	Unspecified	Unspecified
PM1608S-470M-RC	47	47	0.23	0.230	0.50	0.50	Unspecified	Unspecified
PM1608S-680M-RC	68	68	0.29	0.290	0.40	0.40	Unspecified	Unspecified
PM1608S-101M-RC	100	100	0.48	0.480	0.30	0.30	Unspecified	Unspecified
PM1608S-151M-RC	150	150	0.59	0.590	0.26	0.26	Unspecified	Unspecified
PM1608S-221M-RC	220	220	0.77	0.770	0.22	0.22	Unspecified	Unspecified
PM1608S-331M-RC	330	330	1.4	1.4	0.20	0.20	Unspecified	Unspecified
PM1608S-471M-RC	470	470	1.8	1.8	0.19	0.19	Unspecified	Unspecified
PM1608S-681M-RC	680	680	2.2	2.2	0.18	0.18	Unspecified	Unspecified
PM1608S-102M-RC	1,000	1,000	3.4	3.4	0.15	0.15	Unspecified	Unspecified
PM1608S-152M-RC	1,500	1,500	4.2	4.2	0.12	0.12	Unspecified	Unspecified
PM1608S-222M-RC	2,200	2,200	8.5	8.5	0.10	0.10	Unspecified	Unspecified
PM1608S-332M-RC	3,300	3,300	11.0	11.0	0.08	0.08	Unspecified	Unspecified
PM1608S-472M-RC	4,700	4,700	13.9	13.9	0.06	0.06	Unspecified	Unspecified
PM1608S-682M-RC	6,800	6,800	25.0	25.0	0.04	0.04	Unspecified	Unspecified
PM1608S-103M-RC	10,000	10,000	32.8	32.8	0.02	0.02	Unspecified	Unspecified

Product Dimensions



Pad Layout

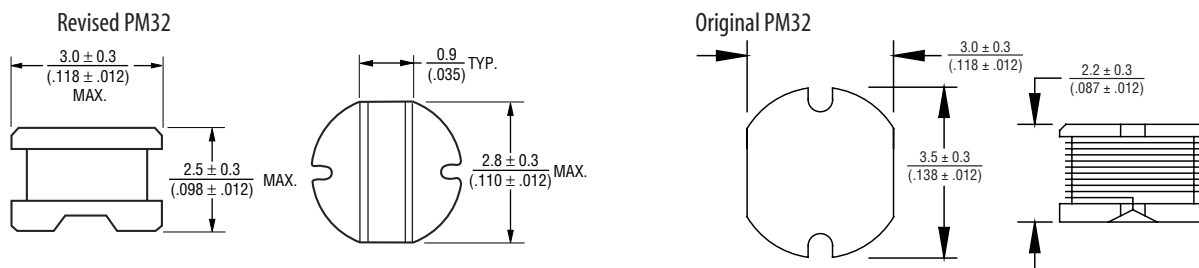


PM32 Series

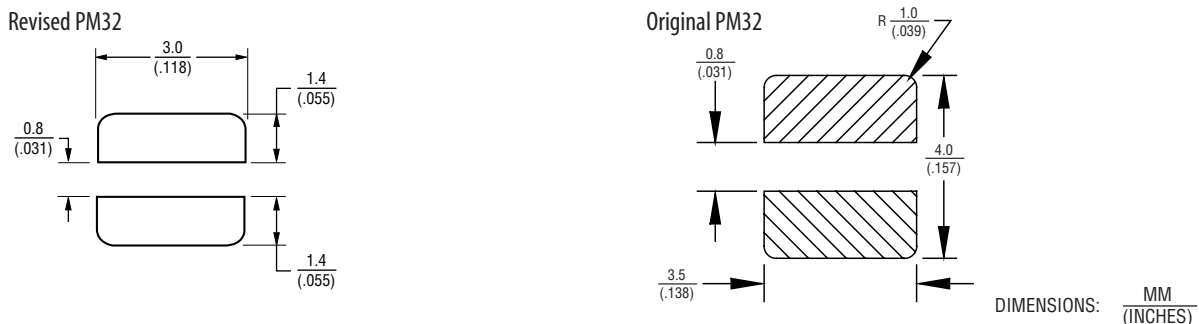
Electrical Specifications

Part Number	Revised Value (μH)	Original Value (μH)	Revised DCR (Ω)	Original DCR (Ω)	Revised Irms (A)	Original Irms (A)	Revised Isat (A)	Original Isat (A)
PM32-1R0M-RC	1.0	1.0	0.06	0.04	2.1	1.5	Unspecified	Unspecified
PM32-1R4M-RC	1.4	1.4	0.07	0.05	1.5	1.5	Unspecified	Unspecified
PM32-1R8M-RC	1.8	1.8	0.08	0.06	1.8	0.80	Unspecified	Unspecified
PM32-2R2M-RC	2.2	2.2	0.09	0.08	1.7	0.75	Unspecified	Unspecified
PM32-2R7M-RC	2.7	2.7	0.10	0.10	1.5	0.75	Unspecified	Unspecified
PM32-3R3M-RC	3.3	3.3	0.11	0.15	1.4	0.60	Unspecified	Unspecified
PM32-3R9M-RC	3.9	3.9	0.12	0.20	1.3	0.50	Unspecified	Unspecified
PM32-4R7M-RC	4.7	4.7	0.15	0.20	1.2	0.50	Unspecified	Unspecified
PM32-5R6M-RC	5.6	5.6	0.16	0.23	1.1	0.45	Unspecified	Unspecified
PM32-6R8M-RC	6.8	6.8	0.18	0.25	1.0	0.40	Unspecified	Unspecified
PM32-8R2M-RC	8.2	8.2	0.20	0.30	0.900	0.40	Unspecified	Unspecified
PM32-100M-RC	10	10	0.25	0.35	0.800	0.35	Unspecified	Unspecified
PM32-120M-RC	12	12	0.28	0.40	0.750	0.35	Unspecified	Unspecified
PM32-150M-RC	15	15	0.40	0.50	0.650	0.30	Unspecified	Unspecified
PM32-180M-RC	18	18	0.46	0.55	0.580	0.30	Unspecified	Unspecified
PM32-220M-RC	22	22	0.66	0.60	0.520	0.30	Unspecified	Unspecified
PM32-270M-RC	27	27	0.75	0.70	0.480	0.30	Unspecified	Unspecified
PM32-330M-RC	33	33	0.85	1.0	0.420	0.25	Unspecified	Unspecified
PM32-390M-RC	39	39	1.12	1.2	0.380	0.25	Unspecified	Unspecified
PM32-470M-RC	47	47	1.27	1.5	0.360	0.20	Unspecified	Unspecified
PM32-560M-RC	56	56	1.45	1.8	0.340	0.20	Unspecified	Unspecified
PM32-680M-RC	68	68	1.85	2.0	0.300	0.18	Unspecified	Unspecified
PM32-820M-RC	82	82	2.10	2.5	0.280	0.16	Unspecified	Unspecified
PM32-101M-RC	100	100	2.85	3.0	0.260	0.15	Unspecified	Unspecified
PM32-121M-RC	120	120	3.20	3.5	0.220	0.14	Unspecified	Unspecified
PM32-151M-RC	150	150	4.60	4.0	0.200	0.13	Unspecified	Unspecified
PM32-181M-RC	180	180	5.00	5.0	0.185	0.12	Unspecified	Unspecified
PM32-221M-RC	220	220	5.70	5.5	0.170	0.10	Unspecified	Unspecified
PM32-271M-RC	270	270	8.60	6.0	0.150	0.10	Unspecified	Unspecified
PM32-331M-RC	330	330	10.00	7.0	0.130	0.10	Unspecified	Unspecified
PM32-391M-RC	390	390	10.8	8.0	0.120	0.10	Unspecified	Unspecified
PM32-471M-RC	470	470	14.3	12	0.105	0.09	Unspecified	Unspecified

Product Dimensions



Pad Layout



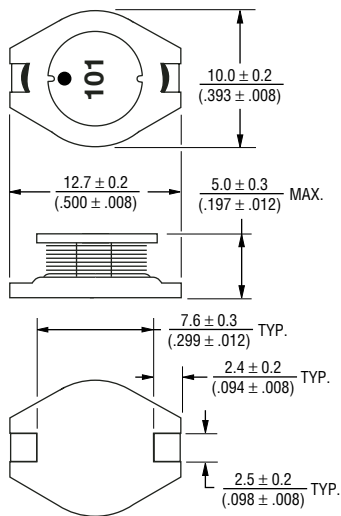
PM3316 Series

Electrical Specifications

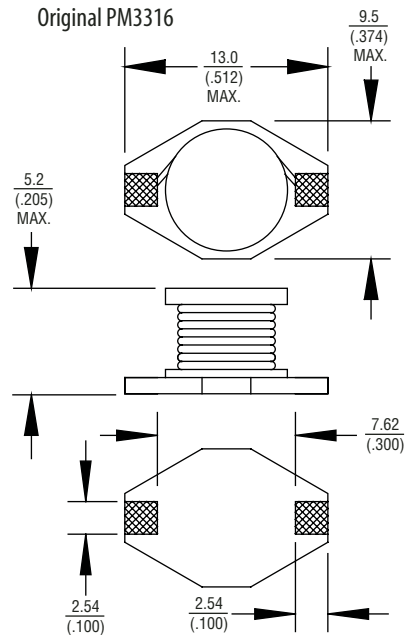
Part Number	Revised Value (μH)	Original Value (μH)	Revised DCR (Ω)	Original DCR (Ω)	Revised Irms (A)	Original Irms (A)	Revised Isat (A)	Original Isat (A)
PM3316-1R0M-RC	1.00	1.00	0.01	0.01	7.50	6.80	9.00	9.00
PM3316-1R5M-RC	1.50	1.50	0.01	0.01	6.50	6.40	8.00	8.00
PM3316-2R5M-RC	2.50	2.50	0.01	0.01	6.10	6.10	7.00	7.00
PM3316-3R3M-RC	3.30	3.30	0.02	0.02	5.00	5.40	6.40	6.40
PM3316-4R7M-RC	4.70	4.70	0.02	0.02	4.50	4.80	5.40	5.40
PM3316-6R8M-RC	6.80	6.80	0.03	0.03	3.40	4.40	4.50	4.60
PM3316-100M-RC	10	10.00	0.05	0.04	2.90	3.90	3.70	3.80
PM3316-150M-RC	15	15.00	0.06	0.05	2.50	3.10	3.00	3.00
PM3316-220M-RC	22	22.00	0.10	0.09	2.00	2.70	2.50	2.60
PM3316-330M-RC	33	33.00	0.12	0.10	1.80	2.10	2.00	2.00
PM3316-470M-RC	47	47.00	0.19	0.14	1.40	1.80	1.60	1.60
PM3316-680M-RC	68	68.00	0.24	0.20	1.20	1.50	1.40	1.40
PM3316-101M-RC	100	100.00	0.33	0.28	1.00	1.30	1.20	1.20
PM3316-151M-RC	150	150.00	0.59	0.40	0.80	1.00	1.00	1.00
PM3316-221M-RC	220	220.00	0.78	0.61	0.70	0.80	0.80	0.80
PM3316-331M-RC	330	330.00	1.15	1.02	0.55	0.60	0.60	0.60
PM3316-471M-RC	470	470.00	1.70	1.27	0.45	0.50	0.50	0.50
PM3316-681M-RC	680	680.00	2.60	2.02	0.35	0.40	0.40	0.40
PM3316-102M-RC	1,000	1,000.00	3.90	3.00	0.30	0.30	0.35	0.30

Product Dimensions

Revised PM3316

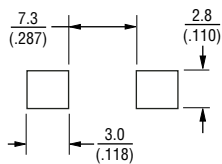


Original PM3316

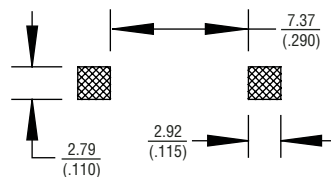


Pad Layout

Revised PM3316



Original PM3316



DIMENSIONS: $\frac{\text{MM}}{\text{(INCHES)}}$

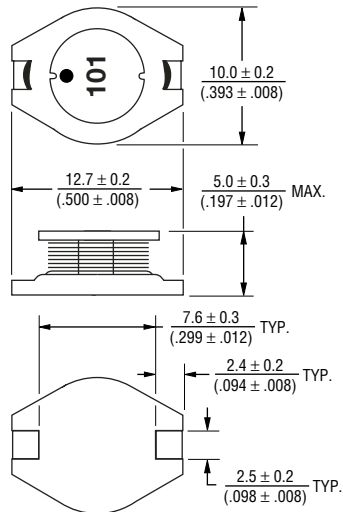
PM3316S Series

Electrical Specifications

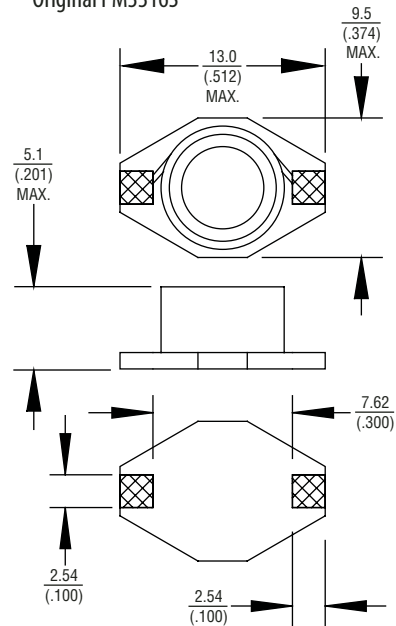
Part Number	Revised Value (μH)	Original Value (μH)	Revised DCR (Ω)	Original DCR (Ω)	Revised Irms (A)	Original Irms (A)	Revised Isat (A)	Original Isat (A)
PM3316S-1R0M-RC	1.0	1.0	0.017	0.021	4.5	5.0	8.00	5.6
PM3316S-1R5M-RC	1.5	1.5	0.020	0.022	3.6	4.5	7.00	5.2
PM3316S-2R2M-RC	2.2	2.2	0.027	0.032	3.1	3.8	6.10	5.0
PM3316S-3R3M-RC	3.3	3.3	0.039	0.039	3.3	3.3	3.90	3.9
PM3316S-4R7M-RC	4.7	4.7	0.040	0.054	2.5	2.7	3.80	3.2
PM3316S-6R8M-RC	6.8	6.8	0.075	0.075	2.2	2.2	2.80	2.8
PM3316S-100M-RC	10	10	0.065	0.101	2.0	2	3.00	2.4
PM3316S-150M-RC	15	15	0.085	0.150	1.7	1.5	2.10	2.0
PM3316S-220M-RC	22	22	0.10	0.207	1.4	1.3	1.90	1.6
PM3316S-330M-RC	33	33	0.16	0.334	1.2	1.1	1.56	1.4
PM3316S-470M-RC	47	47	0.19	0.472	1.0	0.8	1.30	1.0

Product Dimensions

Revised PM3316S

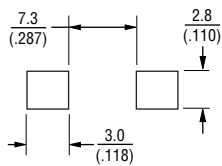


Original PM3316S

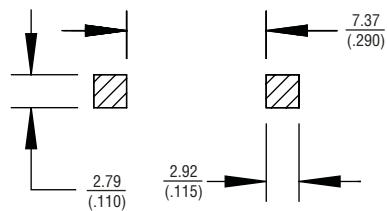


Pad Layout

Revised PM3316S



Original PM3316S



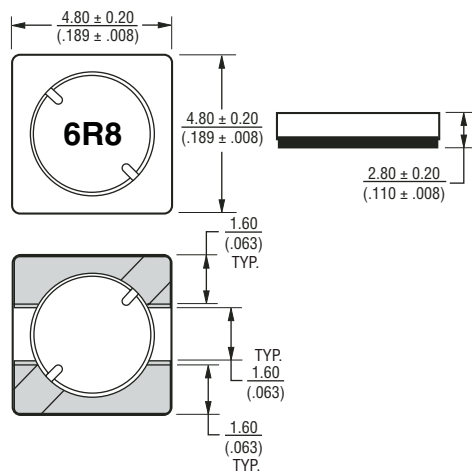
PM428S Series

Electrical Specifications

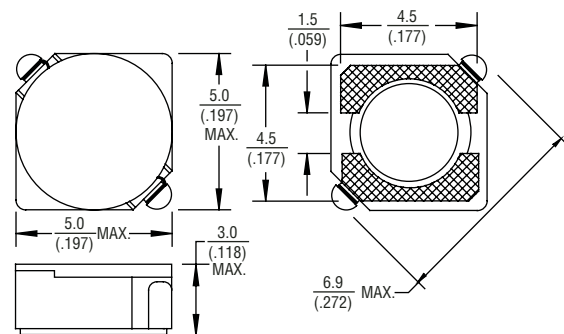
Part Number	Revised Value (μH)	Original Value (μH)	Revised DCR ($\text{m}\Omega$)	Original DCR ($\text{m}\Omega$)	Revised Irms (A)	Original Irms (A)	Revised Isat (A)	Original Isat (A)
PM428S-1R2-RC	1.2	1.2	20	24	3.10	2.56	2.56	2.56
PM428S-1R8-RC	1.8	1.8	25	28	2.70	2.20	2.20	2.20
PM428S-2R2-RC	2.2	2.2	28	31	2.50	2.04	2.05	2.04
PM428S-2R7-RC	2.7	2.7	30	43	2.35	1.60	1.80	1.60
PM428S-3R3-RC	3.3	3.3	35	49	2.15	1.57	1.65	1.57
PM428S-3R9-RC	3.9	3.9	60	65	1.72	1.44	1.50	1.44
PM428S-4R7-RC	4.7	4.7	70	72	1.55	1.32	1.30	1.32
PM428S-5R6-RC	5.6	5.6	85	101	1.38	1.17	1.20	1.17
PM428S-6R8-RC	6.8	6.8	90	109	1.30	1.12	1.15	1.12
PM428S-8R2-RC	8.2	8.2	100	118	1.25	1.04	1.05	1.04
PM428S-100-RC	10	10	110	128	1.19	1.00	1.00	1.00
PM428S-120-RC	12	12	125	132	1.12	0.84	0.85	0.84
PM428S-150-RC	15	15	150	149	1.03	0.76	0.78	0.76
PM428S-180-RC	18	18	160	166	0.98	0.72	0.75	0.72
PM428S-220-RC	22	22	185	235	0.93	0.70	0.72	0.70
PM428S-270-RC	27	27	200	261	0.89	0.58	0.60	0.58
PM428S-330-RC	33	33	230	378	0.82	0.56	0.58	0.56
PM428S-390-RC	39	39	250	384	0.80	0.50	0.50	0.50
PM428S-470-RC	47	47	280	587	0.75	0.48	0.48	0.48
PM428S-560-RC	56	56	320	625	0.70	0.41	0.41	0.41
PM428S-680-RC	68	68	400	699	0.63	0.35	0.36	0.35
PM428S-820-RC	82	82	520	915	0.56	0.32	0.32	0.32
PM428S-101-RC	100	100	600	1020	0.51	0.29	0.30	0.29
PM428S-121-RC	120	120	700	1270	0.47	0.27	0.28	0.27
PM428S-151-RC	150	150	860	1350	0.42	0.24	0.26	0.24
PM428S-181-RC	180	180	1000	1540	0.39	0.22	0.23	0.22

Product Dimensions

Revised PM428S

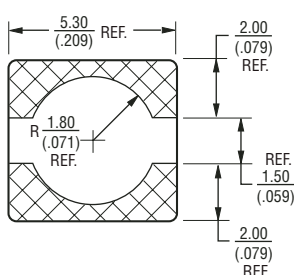


Original PM428S

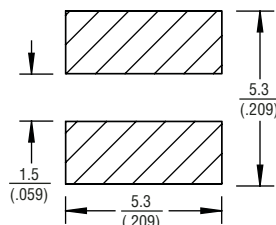


Pad Layout

Revised PM428S



Original PM428S



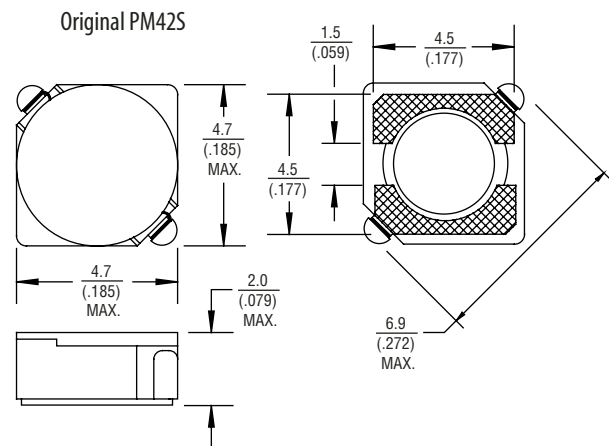
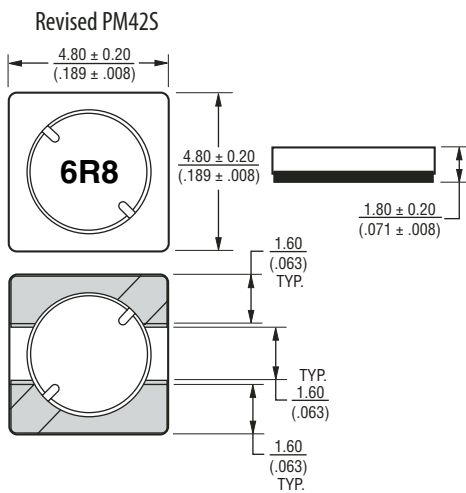
DIMENSIONS: $\frac{\text{MM}}{\text{INCHES}}$

PM42S Series

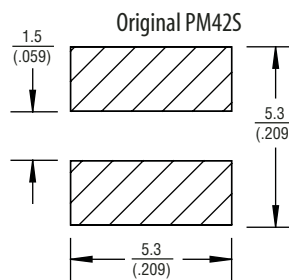
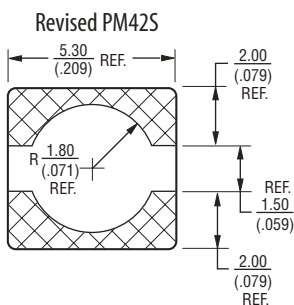
Electrical Specifications

Part Number	Revised Value (μH)	Original Value (μH)	Revised DCR ($\text{m}\Omega$)	Original DCR ($\text{m}\Omega$)	Revised Irms (A)	Original Irms (A)	Revised Isat (A)	Original Isat (A)
PM42S-1R0-RC	1.0	1.0	35	45	2.70	1.72	2.60	1.72
PM42S-2R2-RC	2.2	2.2	40	75	2.10	1.32	2.10	1.32
PM42S-2R7-RC	2.7	2.7	60	105	2.03	1.28	1.95	1.28
PM42S-3R3-RC	3.3	3.3	65	110	1.95	1.04	1.80	1.04
PM42S-3R9-RC	3.9	3.9	75	155	1.82	0.88	1.65	0.88
PM42S-4R7-RC	4.7	4.7	82	162	1.72	0.84	1.50	0.84
PM42S-5R6-RC	5.6	5.6	90	170	1.64	0.80	1.25	0.80
PM42S-6R8-RC	6.8	6.8	100	200	1.50	0.76	1.15	0.76
PM42S-8R2-RC	8.2	8.2	135	245	1.40	0.68	1.10	0.68
PM42S-100-RC	10	10	150	200	1.30	0.61	1.00	0.61
PM42S-120-RC	12	12	170	210	1.15	0.56	0.90	0.56
PM42S-150-RC	15	15	220	240	1.03	0.50	0.82	0.50
PM42S-180-RC	18	18	280	338	0.92	0.48	0.75	0.48
PM42S-220-RC	22	22	300	397	0.88	0.41	0.65	0.41
PM42S-270-RC	27	27	370	441	0.77	0.35	0.60	0.35
PM42S-330-RC	33	33	420	394	0.73	0.32	0.50	0.32
PM42S-390-RC	39	39	540	709	0.64	0.30	0.48	0.30
PM42S-470-RC	47	47	600	922	0.62	0.28	0.45	0.28
PM42S-560-RC	56	56	820	1080	0.52	0.26	0.40	0.26
PM42S-680-RC	68	68	860	1300	0.50	0.24	0.38	0.24
PM42S-820-RC	82	82	1200	1560	0.43	0.22	0.32	0.22
PM42S-101-RC	100	100	1350	1730	0.40	0.20	0.30	0.20
PM42S-121-RC	120	120	1950	2390	0.33	0.18	0.28	0.18
PM42S-151-RC	150	150	2600	2670	0.28	0.15	0.26	0.15
PM42S-181-RC	180	180	4000	4000	0.18	0.14	0.25	0.14

Product Dimensions



Pad Layout



DIMENSIONS: $\frac{\text{MM}}{\text{(INCHES)}}$

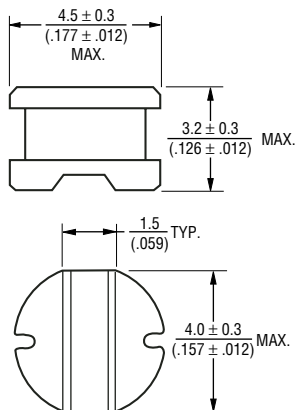
PM43 Series

Electrical Specifications

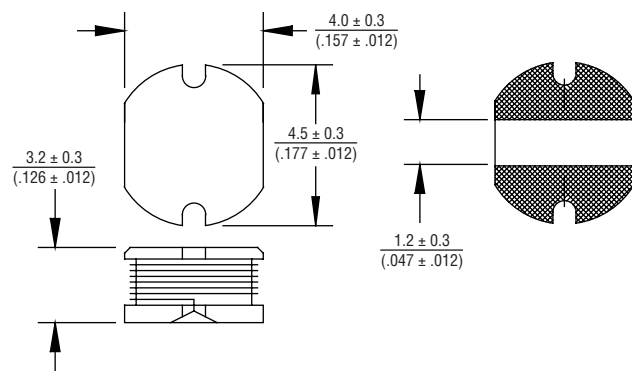
Part Number	Revised Value (μH)	Original Value (μH)	Revised DCR (Ω)	Original DCR (Ω)	Revised Irms (A)	Original Irms (A)	Revised Isat (A)	Original Isat (A)
PM43-1R0M-RC	1.0	1.0	0.033	0.049	3.80	2.56	5.5	2.56
PM43-1R4M-RC	1.4	1.4	0.038	0.057	3.30	2.52	5.1	2.52
PM43-1R8M-RC	1.8	1.8	0.042	0.064	2.91	1.95	4.4	1.95
PM43-2R2M-RC	2.2	2.2	0.047	0.072	2.60	1.75	3.9	1.75
PM43-2R7M-RC	2.7	2.7	0.052	0.079	2.43	1.58	3.5	1.58
PM43-3R3M-RC	3.3	3.3	0.058	0.087	2.15	1.44	3.0	1.44
PM43-3R9M-RC	3.9	3.9	0.076	0.094	1.98	1.33	2.7	1.33
PM43-4R7M-RC	4.7	4.7	0.094	0.109	1.70	1.15	2.6	1.15
PM43-5R6M-RC	5.6	5.6	0.10	0.126	1.60	0.99	2.4	0.99
PM43-6R8M-RC	6.8	6.8	0.12	0.132	1.41	0.95	2.1	0.95
PM43-8R2M-RC	8.2	8.2	0.13	0.147	1.26	0.84	1.9	0.84
PM43-100M-RC	10	10	0.18	0.182	1.15	1.04	1.7	1.04
PM43-120M-RC	12	12	0.21	0.21	1.05	0.97	1.6	0.97
PM43-150M-RC	15	15	0.24	0.235	0.92	0.85	1.4	0.85
PM43-180M-RC	18	18	0.34	0.338	0.84	0.74	1.3	0.74
PM43-220M-RC	22	22	0.38	0.378	0.76	0.68	1.2	0.68
PM43-270K-RC	27	27	0.52	0.522	0.71	0.62	1.0	0.62
PM43-330K-RC	33	33	0.54	0.54	0.64	0.56	0.99	0.56
PM43-390K-RC	39	39	0.59	0.587	0.59	0.52	0.92	0.52
PM43-470K-RC	47	47	0.84	0.844	0.54	0.44	0.78	0.44
PM43-560K-RC	56	56	0.94	0.937	0.50	0.42	0.74	0.42
PM43-680K-RC	68	68	1.12	1.117	0.46	0.37	0.68	0.37

Product Dimensions

Revised PM43

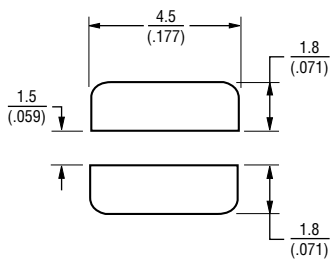


Original PM43

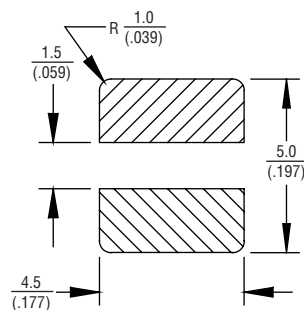


Pad Layout

Revised PM43



Original PM43



DIMENSIONS: $\frac{\text{MM}}{\text{(INCHES)}}$

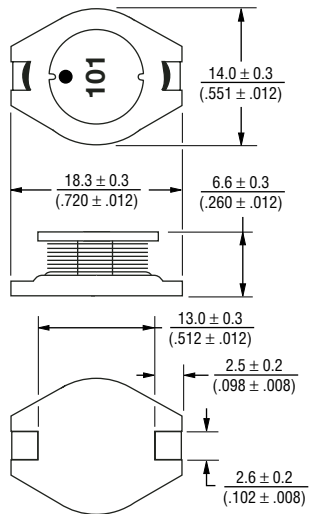
PM5022 Series

Electrical Specifications

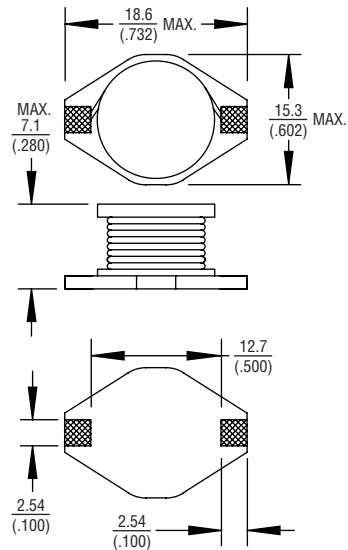
Part Number	Revised Value (μH)	Original Value (μH)	Revised DCR ($\text{m}\Omega$)	Original DCR ($\text{m}\Omega$)	Revised Irms (A)	Original Irms (A)	Revised Isat (A)	Original Isat (A)
PM5022-1R0M-RC	1.0	1.0	4.0	11	10.0	8.6	30	20
PM5022-2R2M-RC	2.2	2.2	6.8	14	9.0	7.1	22	16
PM5022-3R3M-RC	3.3	3.3	9.8	16	7.6	6.2	17	14
PM5022-5R6M-RC	5.6	5.6	15	22	6.4	5.3	13	12
PM5022-100M-RC	10	10	15	32	5.3	4.3	10	10
PM5022-150M-RC	15	15	35	36	4.3	4.0	8	8
PM5022-220M-RC	22	22	45	47	3.6	3.5	6.7	7
PM5022-330M-RC	33	33	68	66	3.0	3.0	5.4	5.5
PM5022-470M-RC	47	47	95	87	2.5	2.6	4.6	4.5
PM5022-680M-RC	68	68	130	130	2.1	2.3	3.8	3.5
PM5022-101M-RC	100	100	190	290	1.7	1.8	3.2	3.0
PM5022-151M-RC	150	150	270	250	1.4	1.5	2.6	2.6
PM5022-221M-RC	220	220	420	380	1.1	1.2	2.2	2.4
PM5022-331M-RC	330	330	580	560	1.0	1.0	1.8	1.9
PM5022-471M-RC	470	470	820	850	0.8	0.82	1.5	1.4
PM5022-681M-RC	680	680	1200	1200	0.7	0.72	1.2	1.2
PM5022-102M-RC	1,000	1,000	1800	1800	0.5	0.56	1.0	1.0

Product Dimensions

Revised PM5022

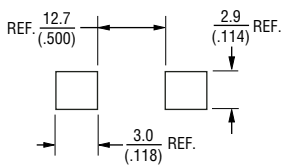


Original PM5022

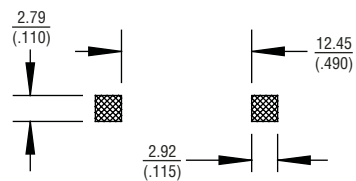


Pad Layout

Revised PM5022



Original PM5022



DIMENSIONS: $\frac{\text{MM}}{\text{(INCHES)}}$

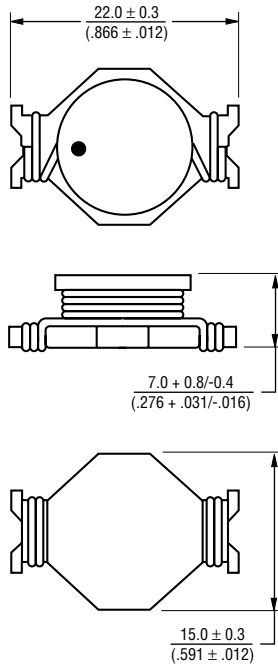
PM5022H Series

Electrical Specifications

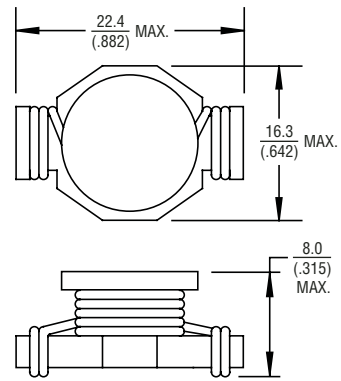
Part Number	Revised Value (μH)	Original Value (μH)	Revised DCR ($\text{m}\Omega$)	Original DCR ($\text{m}\Omega$)	Revised Irms (A)	Original Irms (A)	Revised Isat (A)	Original Isat (A)
PM5022H-R78M-RC	0.78	0.78	2.6	2.6	15	15	30	30
PM5022H-1R5M-RC	1.5	1.5	5.0	4.0	15	15	25	25
PM5022H-2R2M-RC	2.2	2.2	7.5	6.1	13	15	20	20
PM5022H-3R3M-RC	3.3	3.3	7.8	8.6	9	10	17	17
PM5022H-3R9M-RC	3.9	3.9	12.0	10	9	9.0	15	15
PM5022H-4R7M-RC	4.7	4.7	8.8	14	8.5	8.4	15	13
PM5022H-6R0M-RC	6.0	6.0	17.0	17	7.5	7.5	12	12
PM5022H-7R8M-RC	7.8	7.8	20.0	18	7.5	7.5	11	11
PM5022H-100M-RC	10	10	17.2	26	6.5	6.0	10	10
PM5022H-150M-RC	15	15	28.8	32	5.0	4.4	9	8

Product Dimensions

Revised PM5022H

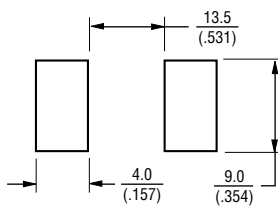


Original PM5022H

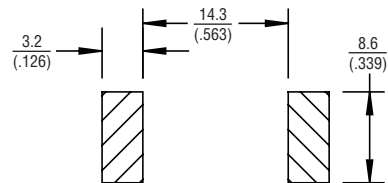


Pad Layout

Revised PM5022H



Original PM5022H



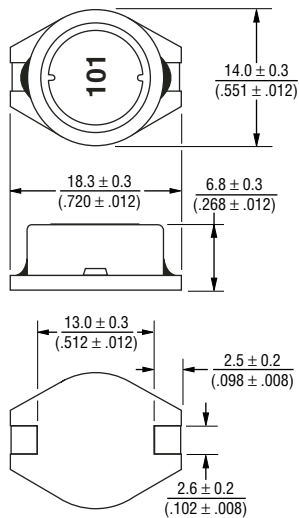
PM5022S Series

Electrical Specifications

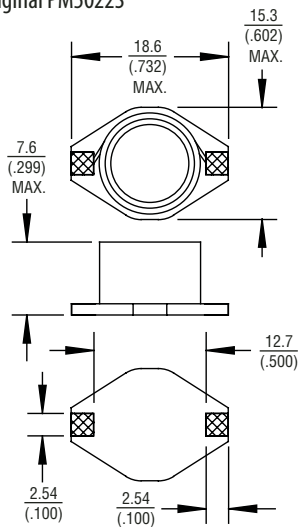
Part Number	Revised Value (μH)	Original Value (μH)	Revised DCR (Ω)	Original DCR (Ω)	Revised Irms (A)	Original Irms (A)	Revised Isat (A)	Original Isat (A)
PM5022S-100M-RC	10	10	0.033	0.040	4.00	3.90	8.2	8.0
PM5022S-150M-RC	15	15	0.039	0.048	3.60	3.40	7.2	7.0
PM5022S-220M-RC	22	22	0.053	0.059	3.00	3.10	6.2	6.0
PM5022S-330M-RC	33	33	0.083	0.075	2.50	2.80	5.0	5.0
PM5022S-470M-RC	47	47	0.110	0.097	2.00	2.40	4.2	4.0
PM5022S-680M-RC	68	68	0.170	0.138	1.60	2.00	3.4	3.0
PM5022S-101M-RC	100	100	0.270	0.207	1.30	1.70	2.6	2.4
PM5022S-151M-RC	150	150	0.400	0.293	1.05	1.30	2.3	2.1
PM5022S-221M-RC	220	220	0.510	0.470	1.00	1.10	1.9	1.9
PM5022S-331M-RC	330	330	0.790	0.780	0.80	0.86	1.4	1.1
PM5022S-471M-RC	470	470	1.000	1.080	0.64	0.73	1.3	1.1
PM5022S-681M-RC	680	680	1.470	1.400	0.54	0.64	1.1	1.0
PM5022S-102M-RC	1000	1000	2.160	2.010	0.45	0.53	0.9	0.8

Product Dimensions

Revised PM5022S

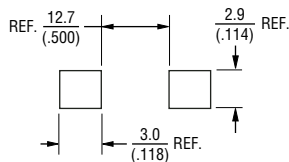


Original PM5022S

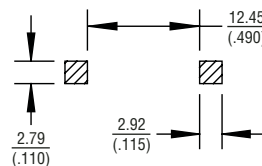


Pad Layout

Revised PM5022S



Original PM5022S



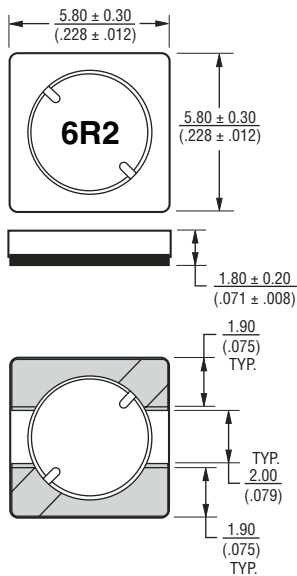
PM518S Series

Electrical Specifications

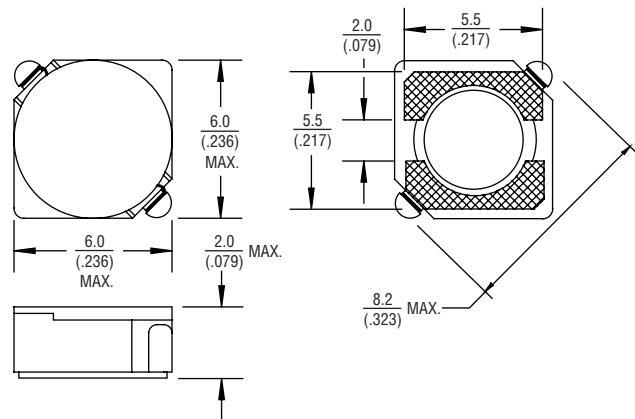
Part Number	Revised Value (μH)	Original Value (μH)	Revised DCR ($\text{m}\Omega$)	Original DCR ($\text{m}\Omega$)	Revised Irms (A)	Original Irms (A)	Revised Isat (A)	Original Isat (A)
PM518S-4R1-RC	4.1	4.1	55	57	2.0	Unspecified	2.10	1.95
PM518S-5R4-RC	5.4	5.4	76	76	1.7	Unspecified	1.65	1.60
PM518S-6R2-RC	6.2	6.2	80	96	1.5	Unspecified	1.60	1.40
PM518S-8R9-RC	8.9	8.9	116	116	1.3	Unspecified	1.25	1.25
PM518S-100-RC	10	10	130	124	1.1	Unspecified	1.25	1.20
PM518S-120-RC	12	12	160	153	1.0	Unspecified	1.15	1.10
PM518S-150-RC	15	15	190	296	0.95	Unspecified	1.10	0.97
PM518S-180-RC	18	18	210	210	0.90	Unspecified	1.00	0.85
PM518S-220-RC	22	22	280	290	0.80	Unspecified	0.90	0.80
PM518S-270-RC	27	27	320	330	0.75	Unspecified	0.80	0.75
PM518S-330-RC	33	33	350	386	0.65	Unspecified	0.70	0.65
PM518S-390-RC	39	39	500	520	0.55	Unspecified	0.65	0.57
PM518S-470-RC	47	47	550	595	0.52	Unspecified	0.60	0.54
PM518S-560-RC	56	56	600	665	0.48	Unspecified	0.55	0.50
PM518S-680-RC	68	68	850	840	0.40	Unspecified	0.50	0.43
PM518S-820-RC	82	82	950	978	0.38	Unspecified	0.45	0.41
PM518S-101-RC	100	100	1100	1200	0.35	Unspecified	0.42	0.36

Product Dimensions

Revised PM518S

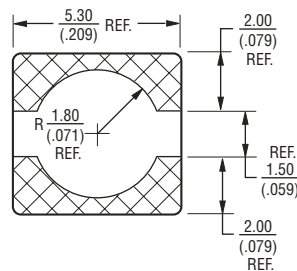


Original PM518S

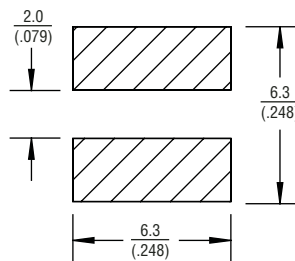


Pad Layout

Revised PM518S



Original PM518S



DIMENSIONS: $\frac{\text{MM}}{\text{(INCHES)}}$

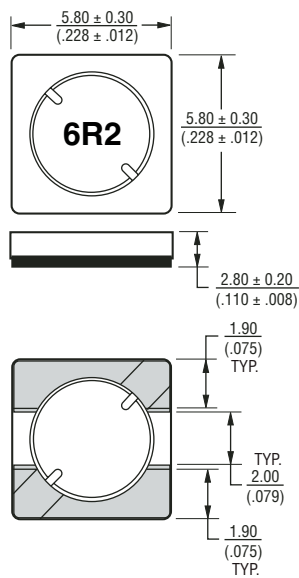
PM528S Series

Electrical Specifications

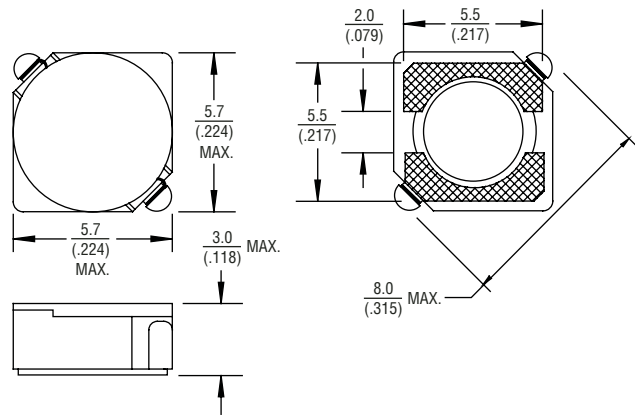
Part Number	Revised Value (μH)	Original Value (μH)	Revised DCR ($\text{m}\Omega$)	Original DCR ($\text{m}\Omega$)	Revised Irms (A)	Original Irms (A)	Revised Isat (A)	Original Isat (A)
PM528S-2R6-RC	2.6	2.6	30	18	3.00	Unspecified	2.70	2.60
PM528S-3R0-RC	3.0	3.0	30	24	2.80	Unspecified	2.50	2.40
PM528S-4R2-RC	4.2	4.2	35	31	2.50	Unspecified	2.20	2.20
PM528S-5R3-RC	5.3	5.3	40	38	2.30	Unspecified	1.90	1.90
PM528S-6R2-RC	6.2	6.2	45	45	2.20	Unspecified	1.80	1.80
PM528S-8R2-RC	8.2	8.2	55	53	2.10	Unspecified	1.60	1.60
PM528S-100-RC	10	10	70	65	1.50	Unspecified	1.40	1.30
PM528S-120-RC	12	12	80	76	1.48	Unspecified	1.25	1.20
PM528S-150-RC	15	15	100	103	1.37	Unspecified	1.15	1.10
PM528S-180-RC	18	18	110	110	1.25	Unspecified	1.10	1.00
PM528S-220-RC	22	22	120	122	1.15	Unspecified	1.00	0.90
PM528S-270-RC	27	27	160	175	1.05	Unspecified	0.90	0.85
PM528S-330-RC	33	33	190	189	0.90	Unspecified	0.78	0.75
PM528S-390-RC	39	39	210	212	0.86	Unspecified	0.72	0.70
PM528S-470-RC	47	47	250	260	0.82	Unspecified	0.65	0.62
PM528S-560-RC	56	56	300	305	0.72	Unspecified	0.60	0.58
PM528S-680-RC	68	68	350	355	0.62	Unspecified	0.56	0.52
PM528S-820-RC	82	82	430	463	0.52	Unspecified	0.50	0.46
PM528S-101-RC	100	100	480	520	0.45	Unspecified	0.45	0.42

Product Dimensions

Revised PM528S

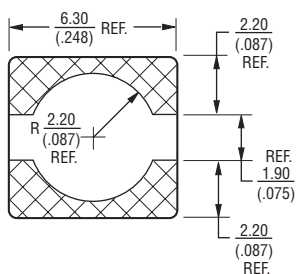


Original PM528S

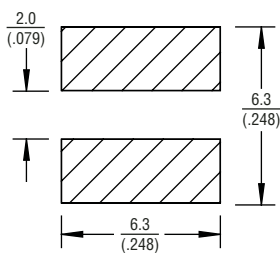


Pad Layout

Revised PM528S



Original PM528S



DIMENSIONS: $\frac{\text{MM}}{\text{(INCHES)}}$

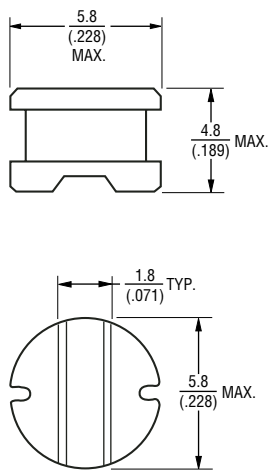
PM54 Series

Electrical Specifications

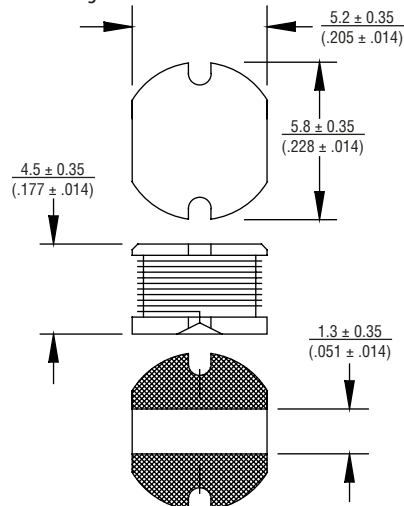
Part Number	Revised Value (μH)	Original Value (μH)	Revised DCR (Ω)	Original DCR (Ω)	Revised Irms (A)	Original Irms (A)	Revised Isat (A)	Original Isat (A)
PM54-100M-RC	10	10	0.10	0.10	1.45	1.44	2.0	Unspecified
PM54-120M-RC	12	12	0.12	0.12	1.40	1.40	1.9	Unspecified
PM54-150M-RC	15	15	0.14	0.14	1.30	1.30	1.6	Unspecified
PM54-180M-RC	18	18	0.15	0.15	1.25	1.23	1.5	Unspecified
PM54-220M-RC	22	22	0.19	0.18	1.10	1.11	1.4	Unspecified
PM54-270M-RC	27	27	0.22	0.20	1.00	0.97	1.3	Unspecified
PM54-330L-RC	33	33	0.25	0.23	0.88	0.88	1.1	Unspecified
PM54-390L-RC	39	39	0.32	0.32	0.80	0.80	1.0	Unspecified
PM54-470L-RC	47	47	0.37	..37	0.72	0.72	1.0	Unspecified
PM54-560K-RC	56	56	0.42	0.42	0.68	0.68	0.90	Unspecified
PM54-680K-RC	68	68	0.52	0.46	0.62	0.61	0.84	Unspecified
PM54-820K-RC	82	82	0.60	0.60	0.58	0.58	0.75	Unspecified
PM54-101K-RC	100	100	0.70	0.70	0.52	0.52	0.68	Unspecified
PM54-121K-RC	120	120	0.93	0.93	0.48	0.48	0.60	Unspecified
PM54-151K-RC	150	150	1.10	1.10	0.40	0.40	0.54	Unspecified
PM54-181K-RC	180	180	1.38	1.38	0.38	0.38	0.50	Unspecified
PM54-221K-RC	220	220	1.57	1.57	0.35	0.35	0.44	Unspecified

Product Dimensions

Revised PM54

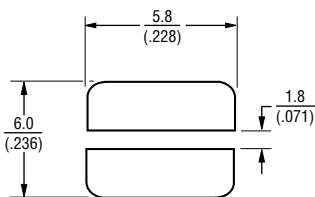


Original PM54

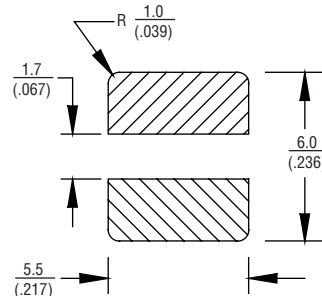


Pad Layout

Revised PM54



Original PM54



DIMENSIONS: $\frac{\text{MM}}{\text{(INCHES)}}$

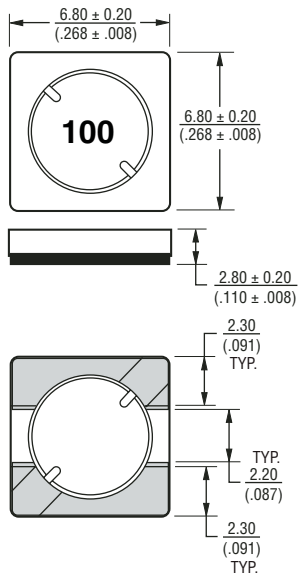
PM628S Series

Electrical Specifications

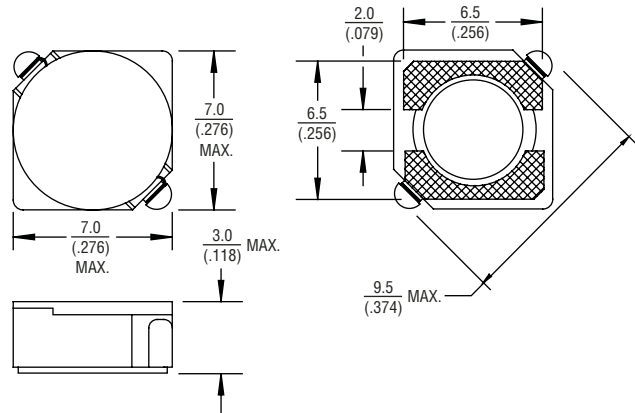
Part Number	Revised Value (μH)	Original Value (μH)	Revised DCR ($\text{m}\Omega$)	Original DCR ($\text{m}\Omega$)	Revised Irms (A)	Original Irms (A)	Revised Isat (A)	Original Isat (A)
PM628S-3R0-RC	3.0	3.0	21	24	3.0	3.0	2.60	Unspecified
PM628S-3R9-RC	3.9	3.9	32	27	2.5	2.6	2.30	Unspecified
PM628S-5R0-RC	5.0	5.0	36	31	2.4	2.4	2.10	Unspecified
PM628S-6R0-RC	6.0	6.0	40	35	2.3	2.25	2.00	Unspecified
PM628S-7R3-RC	7.3	7.3	52	54	2.2	2.10	1.85	Unspecified
PM628S-8R6-RC	8.6	8.6	56	58	2.1	1.85	1.82	Unspecified
PM628S-100-RC	10	10	65	65	2.0	1.70	1.70	Unspecified
PM628S-120-RC	12	12	70	70	1.90	1.55	1.50	Unspecified
PM628S-150-RC	15	15	78	84	1.70	1.40	1.30	Unspecified
PM628S-180-RC	18	18	85	95	1.50	1.32	1.10	Unspecified
PM628S-220-RC	22	22	115	128	1.40	1.20	1.08	Unspecified
PM628S-270-RC	27	27	130	142	1.20	1.05	1.00	Unspecified
PM628S-330-RC	33	33	155	165	1.15	0.97	0.92	Unspecified
PM628S-390-RC	39	39	195	210	1.00	0.86	0.75	Unspecified
PM628S-470-RC	47	47	235	238	0.92	0.80	0.72	Unspecified
PM628S-560-RC	56	56	260	277	0.85	0.73	0.65	Unspecified
PM628S-680-RC	68	68	300	304	0.80	0.65	0.60	Unspecified
PM628S-820-RC	82	82	400	390	0.70	0.60	0.56	Unspecified
PM628S-101-RC	100	100	500	535	0.58	0.54	0.55	Unspecified

Product Dimensions

Revised PM628S

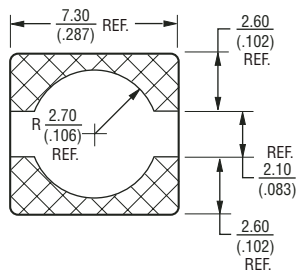


Original PM628S

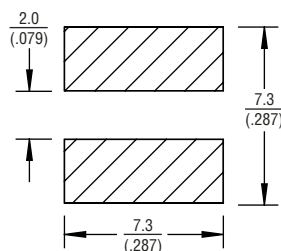


Pad Layout

Revised PM628S



Original PM628S



DIMENSIONS: $\frac{\text{MM}}{\text{(INCHES)}}$

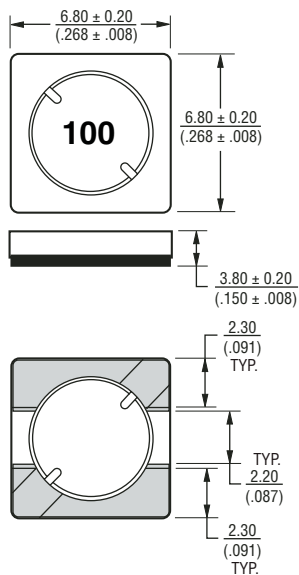
PM638S Series

Electrical Specifications

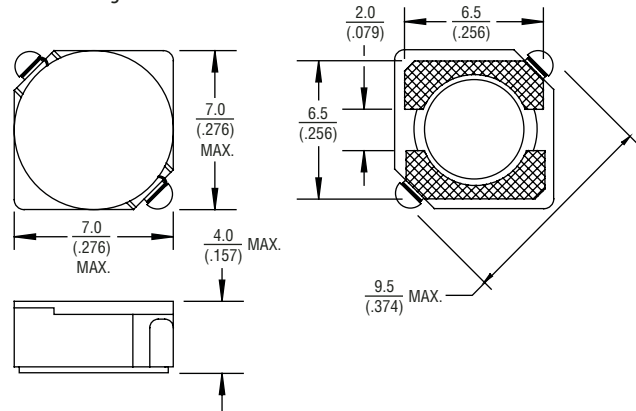
Part Number	Revised Value (μH)	Original Value (μH)	Revised DCR ($\text{m}\Omega$)	Original DCR ($\text{m}\Omega$)	Revised I _{rms} (A)	Original I _{rms} (A)	Revised Isat (A)	Original Isat (A)
PM638S-3R3-RC	3.3	3.3	20	20	3.5	3.5	3.60	Unspecified
PM638S-5R0-RC	5.0	5.0	24	24	2.9	2.9	2.95	Unspecified
PM638S-6R2-RC	6.2	6.2	27	27	2.5	2.5	2.60	Unspecified
PM638S-7R4-RC	7.4	7.4	31	31	2.3	2.3	2.55	Unspecified
PM638S-8R7-RC	8.7	8.7	34	34	2.2	2.2	2.35	Unspecified
PM638S-100-RC	10	10	38	38	2.0	2.0	2.05	Unspecified
PM638S-120-RC	12	12	53	53	1.7	1.7	1.95	Unspecified
PM638S-150-RC	15	15	57	57	1.6	1.6	1.90	Unspecified
PM638S-180-RC	18	18	92	92	1.5	1.5	1.70	Unspecified
PM638S-220-RC	22	22	96	96	1.3	1.3	1.60	Unspecified
PM638S-270-RC	27	27	109	109	1.2	1.2	1.30	Unspecified
PM638S-330-RC	33	33	124	124	1.1	1.1	1.20	Unspecified
PM638S-390-RC	39	39	138	138	1.0	1.0	1.10	Unspecified
PM638S-470-RC	47	47	155	155	0.95	0.95	1.00	Unspecified
PM638S-560-RC	56	56	202	202	0.85	0.85	0.90	Unspecified
PM638S-680-RC	68	68	234	234	0.75	0.75	0.87	Unspecified
PM638S-820-RC	82	82	324	324	0.70	0.7	0.75	Unspecified
PM638S-101-RC	100	100	358	358	0.65	0.65	0.68	Unspecified

Product Dimensions

Revised PM638S

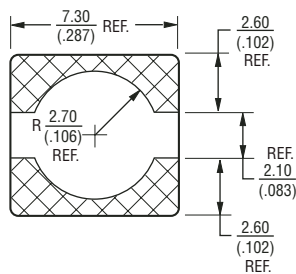


Original PM638S

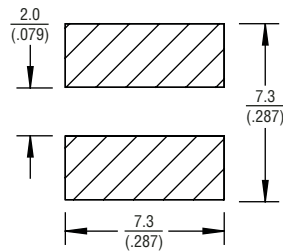


Pad Layout

Revised PM638S



Original PM638S



DIMENSIONS: $\frac{\text{MM}}{\text{(INCHES)}}$

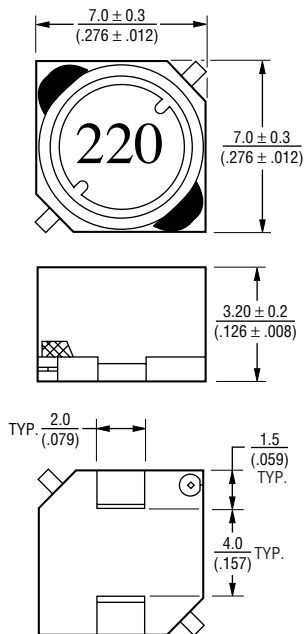
PM7032S Series

Electrical Specifications

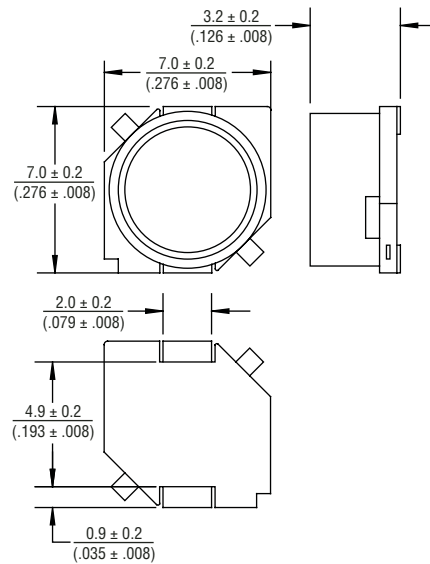
Part Number	Revised Value (μH)	Original Value (μH)	Revised DCR (Ω)	Original DCR (Ω)	Revised Irms (A)	Original Irms (A)	Revised Isat (A)	Original Isat (A)
PM7032S-3R3M-RC	3.3	3.3	0.027	0.028	2.4	1.9	2.20	1.90
PM7032S-4R7M-RC	4.7	4.7	0.042	0.043	2.0	1.7	2.00	1.70
PM7032S-6R8M-RC	6.8	6.8	0.054	0.049	1.6	1.6	1.80	1.60
PM7032S-100M-RC	10	10	0.068	0.064	1.4	1.4	1.60	1.40
PM7032S-150M-RC	15	15	0.095	0.090	1.1	1.1	1.20	1.10
PM7032S-220M-RC	22	22	0.135	0.13	0.96	0.96	1.05	0.96
PM7032S-330M-RC	33	33	0.20	0.19	0.76	0.75	0.86	0.75
PM7032S-470M-RC	47	47	0.28	0.29	0.67	0.67	0.77	0.67
PM7032S-680M-RC	68	68	0.38	0.37	0.60	0.59	0.70	0.59
PM7032S-101M-RC	100	100	0.54	0.54	0.45	0.45	0.50	0.45
PM7032S-151M-RC	150	150	0.80	0.78	0.37	0.37	0.38	0.37
PM7032S-221M-RC	220	220	1.30	1.26	0.30	0.29	0.32	0.29
PM7032S-331M-RC	330	330	1.90	2.00	0.22	0.22	0.24	0.22
PM7032S-471M-RC	470	470	2.40	2.46	0.20	0.2	0.20	0.20
PM7032S-681M-RC	680	680	3.75	3.78	0.16	0.16	0.15	0.16
PM7032S-102M-RC	1000	1000	5.40	5.74	0.15	0.13	0.14	0.13

Product Dimensions

Revised PM7032S

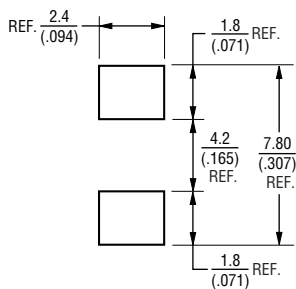


Original PM7032S

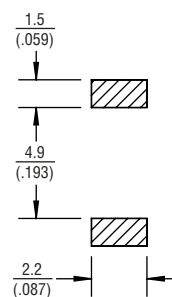


Pad Layout

Revised PM7032S



Original PM7032S



DIMENSIONS: $\frac{\text{MM}}{\text{(INCHES)}}$

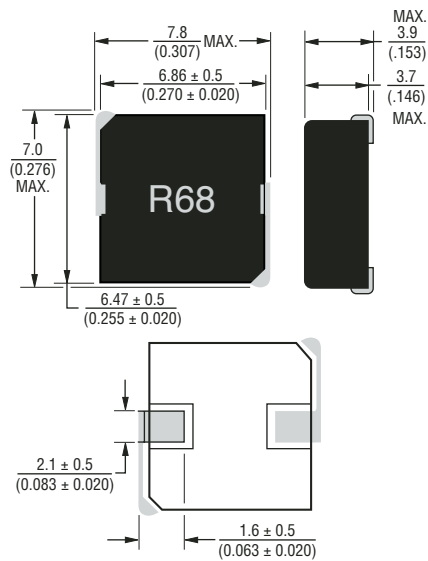
PM7232S Series

Electrical Specifications

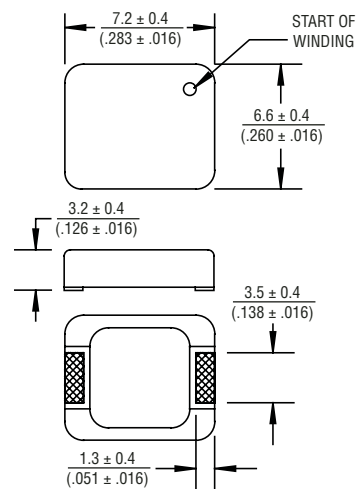
Part Number	Revised Value (μH)	Original Value (μH)	Revised DCR ($\text{m}\Omega$)	Original DCR ($\text{m}\Omega$)	Revised Irms (A)	Original Irms (A)	Revised Isat (A)	Original Isat (A)
PM7232S-R10M-RC	0.10	0.10	1.7	1.1	32.5	22	Unspecified	Unspecified
PM7232S-R22M-RC	0.22	0.22	2.8	1.7	23.0	17	Unspecified	Unspecified
PM7232S-R47M-RC	0.47	0.47	4.2	3.0	17.5	15	Unspecified	Unspecified
PM7232S-R72M-RC	0.72	0.72	8.0	5.5	12.5	15.5	Unspecified	Unspecified
PM7232S-1R0M-RC	1.0	1.0	10	8.4	11.0	12.5	Unspecified	Unspecified
PM7232S-1R5M-RC	1.5	1.5	15	9.5	9.0	10	Unspecified	Unspecified

Product Dimensions

Revised PM7232S

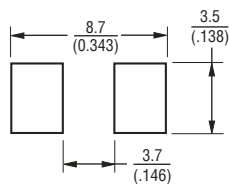


Original PM7232S

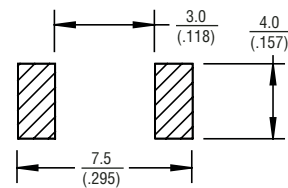


Pad Layout

Revised PM7232S



Original PM7232S



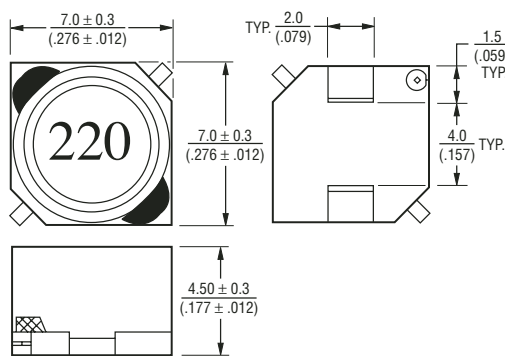
PM74SH Series

Electrical Specifications

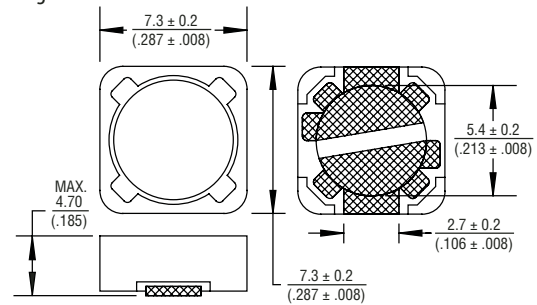
Part Number	Revised Value (μH)	Original Value (μH)	Revised DCR (Ω)	Original DCR (Ω)	Revised Irms (A)	Original Irms (A)	Revised Isat (A)	Original Isat (A)
PM74SH-2R7M-RC	2.7	2.7	0.027	0.027	2.78	2.78	3.10	Unspecified
PM74SH-3R9M-RC	3.9	3.9	0.028	0.028	2.71	2.71	2.43	Unspecified
PM74SH-4R7M-RC	4.7	4.7	0.03	0.03	2.64	2.64	2.20	Unspecified
PM74SH-5R6M-RC	5.6	5.6	0.036	0.036	2.38	2.38	2.00	Unspecified
PM74SH-6R3M-RC	6.3	6.3	0.038	0.038	2.33	2.33	1.85	Unspecified
PM74SH-100M-RC	10	10	0.042	0.045	2.00	2.14	1.70	Unspecified
PM74SH-120M-RC	12	12	0.050	0.06	1.85	1.86	1.40	Unspecified
PM74SH-150M-RC	15	15	0.062	0.075	1.60	1.66	1.35	Unspecified
PM74SH-180M-RC	18	18	0.070	0.089	1.50	1.52	1.15	Unspecified
PM74SH-220M-RC	22	22	0.082	0.11	1.35	1.40	1.10	Unspecified
PM74SH-270M-RC	27	27	0.11	0.14	1.25	1.23	1.00	Unspecified
PM74SH-330M-RC	33	33	0.12	0.14	1.15	1.22	0.90	Unspecified
PM74SH-390M-RC	39	39	0.13	0.17	1.10	1.11	0.80	Unspecified
PM74SH-470M-RC	47	47	0.15	0.18	0.95	1.08	0.78	Unspecified
PM74SH-560M-RC	56	56	0.20	0.24	0.85	0.93	0.65	Unspecified
PM74SH-680M-RC	68	68	0.21	0.27	0.77	0.87	0.60	Unspecified
PM74SH-820M-RC	82	82	0.28	0.32	0.70	0.81	0.60	Unspecified
PM74SH-101M-RC	100	100	0.30	0.43	0.65	0.69	0.50	Unspecified
PM74SH-121M-RC	120	120	0.42	0.47	0.60	0.66	0.45	Unspecified
PM74SH-151M-RC	150	150	0.48	0.54	0.53	0.62	0.41	Unspecified
PM74SH-181M-RC	180	180	0.66	0.69	0.48	0.54	0.38	Unspecified
PM74SH-221M-RC	220	220	0.70	0.96	0.45	0.46	0.36	Unspecified
PM74SH-271M-RC	270	270	0.84	1.08	0.40	0.44	0.28	Unspecified
PM74SH-331M-RC	330	330	0.73	1.32	0.40	0.39	0.25	Unspecified
PM74SH-391M-RC	390	390	1.2	1.63	0.35	0.36	0.23	Unspecified
PM74SH-471M-RC	470	470	1.1	1.85	0.32	0.33	0.22	Unspecified
PM74SH-561M-RC	560	560	1.6	2.17	0.30	0.31	0.20	Unspecified
PM74SH-681M-RC	680	680	1.6	2.90	0.27	0.27	0.20	Unspecified
PM74SH-821M-RC	820	820	2.2	3.55	0.25	0.24	0.18	Unspecified
PM74SH-102M-RC	1000	1000	2.4	4.74	0.25	0.21	0.15	Unspecified

Product Dimensions

Revised PM74SH

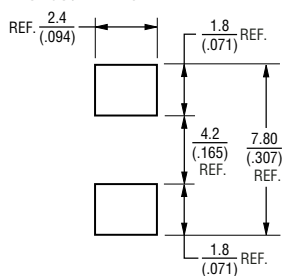


Original PM74SH

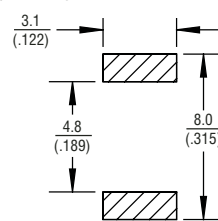


Pad Layout

Revised PM74SH



Original PM74SH



DIMENSIONS: $\frac{\text{MM}}{\text{(INCHES)}}$

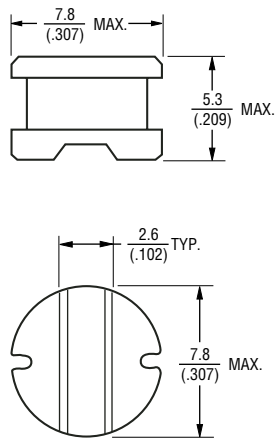
PM75 Series

Electrical Specifications

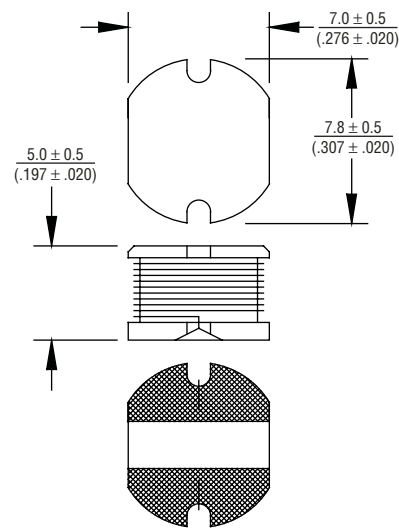
Part Number	Revised Value (μH)	Original Value (μH)	Revised DCR (Ω)	Original DCR (Ω)	Revised Irms (A)	Original Irms (A)	Revised Isat (A)	Original Isat (A)
PM75-100K-RC	10	10	0.07	0.07	2.3	2.3	3.2	Unspecified
PM75-120K-RC	12	12	0.08	0.08	2.0	2.0	3.0	Unspecified
PM75-150K-RC	15	15	0.09	0.09	1.8	1.8	2.7	Unspecified
PM75-180K-RC	18	18	0.10	0.10	1.6	1.6	2.6	Unspecified
PM75-220K-RC	22	22	0.11	0.11	1.5	1.5	2.3	Unspecified
PM75-270K-RC	27	27	0.12	0.12	1.3	1.3	2.1	Unspecified
PM75-330K-RC	33	33	0.14	0.13	1.2	1.2	1.9	Unspecified
PM75-390K-RC	39	39	0.16	0.16	1.1	1.1	1.7	Unspecified
PM75-470K-RC	47	47	0.20	0.18	1.0	1.1	1.6	Unspecified
PM75-560K-RC	56	56	0.24	0.24	0.94	0.94	1.5	Unspecified
PM75-680K-RC	68	68	0.30	0.28	0.85	0.85	1.3	Unspecified
PM75-820K-RC	82	82	0.37	0.37	0.78	0.78	1.2	Unspecified
PM75-101K-RC	100	100	0.45	0.43	0.72	0.72	1.1	Unspecified
PM75-121K-RC	120	120	0.48	0.47	0.68	0.66	1.0	Unspecified
PM75-151K-RC	150	150	0.68	0.64	0.58	0.58	0.85	Unspecified
PM75-181K-RC	180	180	0.77	0.71	0.51	0.51	0.80	Unspecified
PM75-221K-RC	220	220	0.96	0.96	0.49	0.49	0.80	Unspecified
PM75-271K-RC	270	270	1.11	1.11	0.42	0.42	0.66	Unspecified
PM75-331K-RC	330	330	1.26	1.26	0.40	0.40	0.58	Unspecified
PM75-391K-RC	390	390	1.77	1.77	0.36	0.36	0.55	Unspecified
PM75-471K-RC	470	470	1.96	1.96	0.34	0.34	0.50	Unspecified

Product Dimensions

Revised PM75

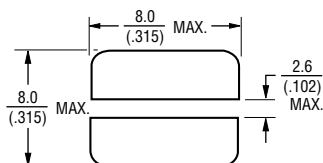


Original PM75

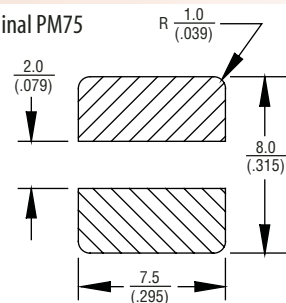


Pad Layout

Revised PM75



Original PM75



DIMENSIONS: $\frac{\text{MM}}{\text{(INCHES)}}$