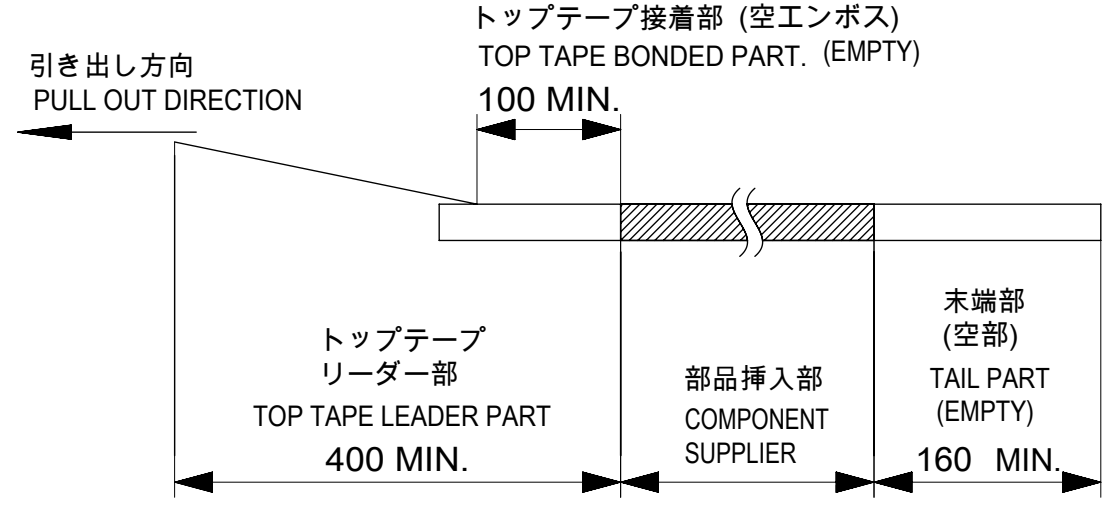
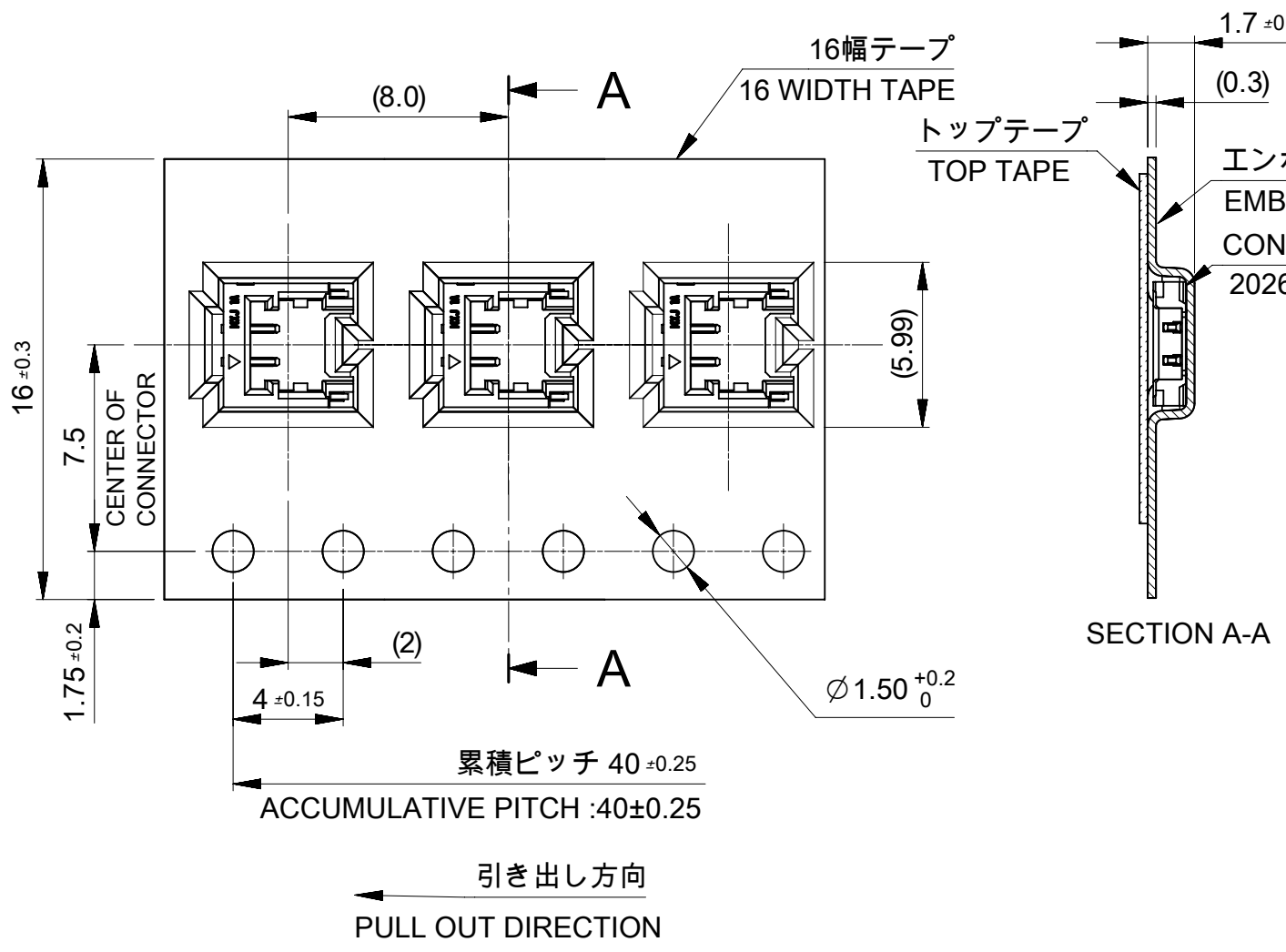


NOTES

- 梱包数量 : 4,500個 / リール
NUMBER OF CONNECTORS : 4,500 PCS/REEL.
- リードテープ長さ
LEAD TAPE LENGTH.



- トップテープの剥離強度については、IEC60286-3に準拠
TOP TAPE PEEL FORCE IS DEFINED BY IEC 60286-3.
- 材料
MATERIAL
キャリアテープ : ポリスチレン (PS)
CARRIER TAPE:POLYSTYRENE(PS)
トップテープ : PET, PE
TOP TAPE :PET, PE
リール : ポリスチレン
REEL:POLYSTYLENE
- 環境負荷物質の管理のため「化学物質ガイドライン」の内容を満足すること。
"CHEMICAL SUBSTANCES GUIDELINE" SHALL BE APPLIED FOR MANAGEMENT OF ENVIRONMENTAL HAZARDOUS MATERIALS.
- 製品詳細につきましては2026560001PSD000を参照ください
THE DETAIL DIMENSION REFER TO 2026560001PSD000(NOT PACKAGED)

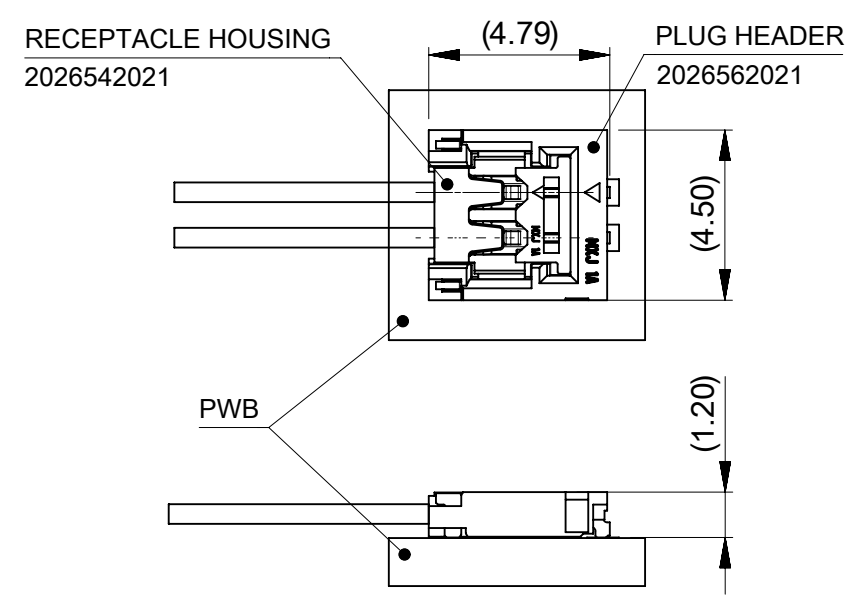
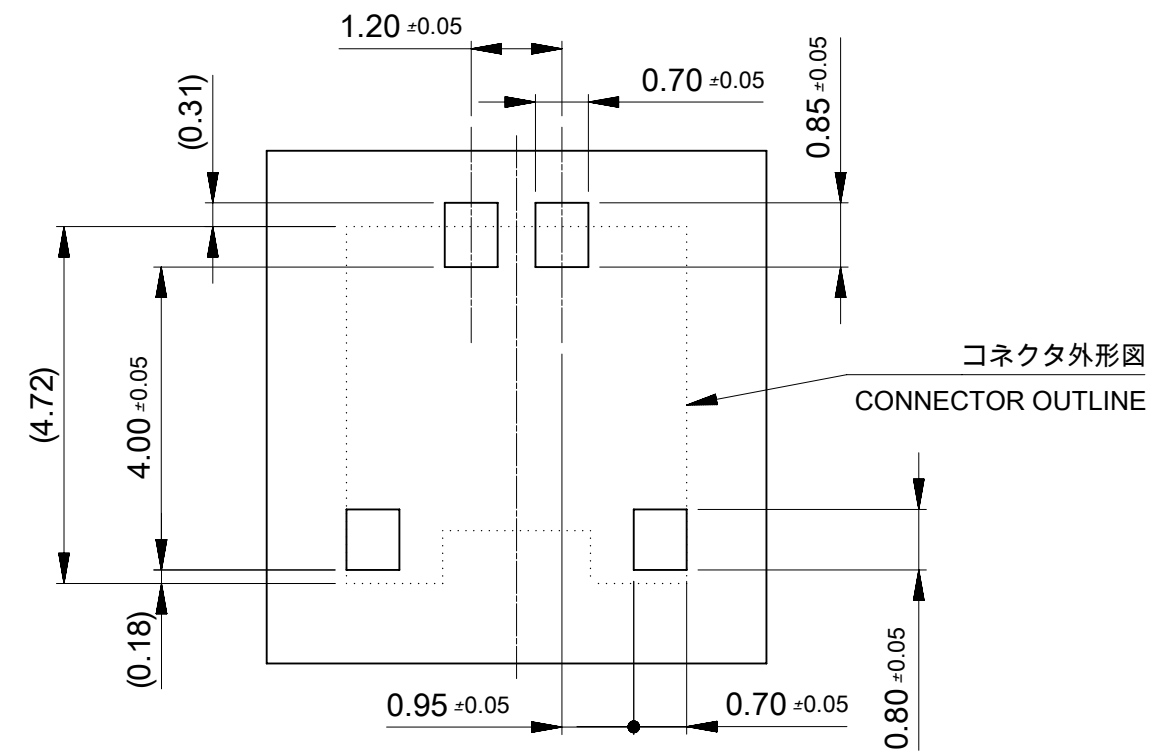
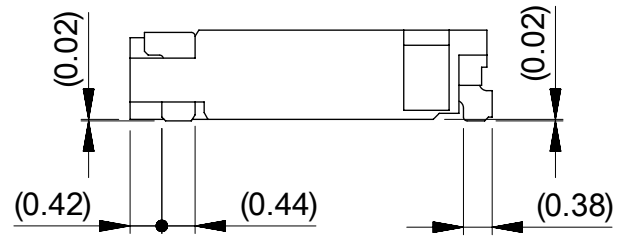
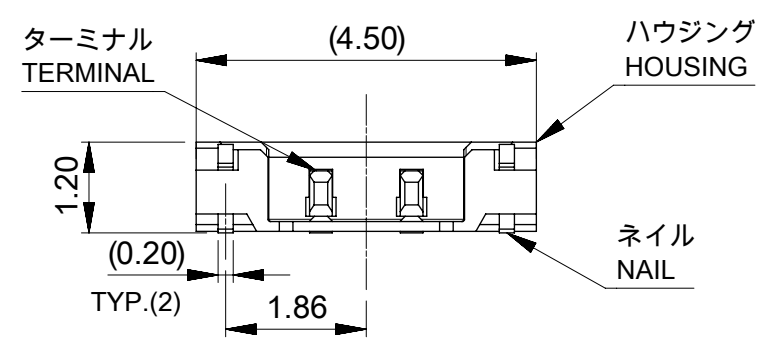
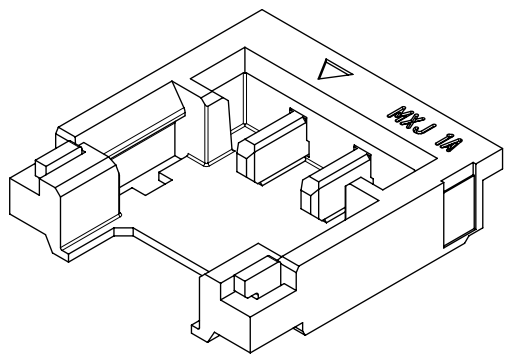
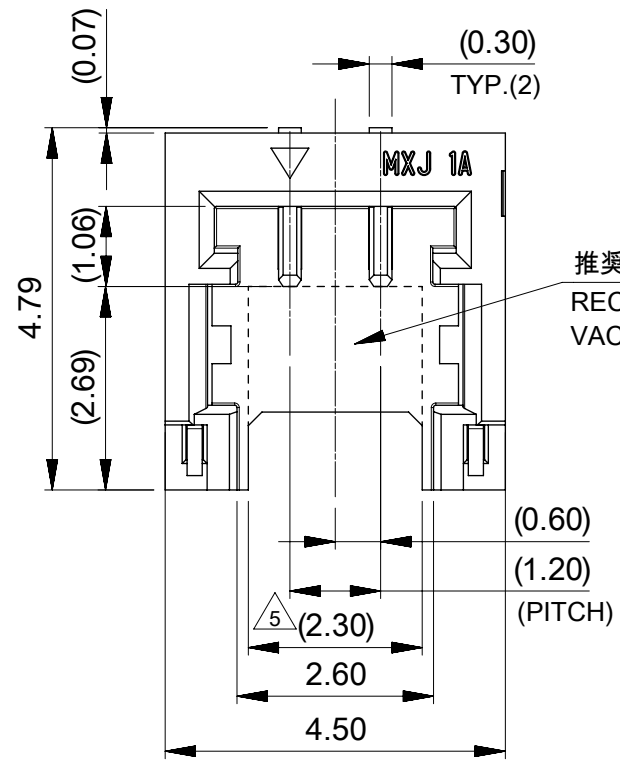


2026561021	2026560021	2	20265600*1
CONNECTOR	MATERIAL NO.	CKT.	MODEL NO.

THIS DRAWING CONTAINS INFORMATION THAT IS PROPRIETARY TO MOLEX ELECTRONIC TECHNOLOGIES, LLC AND SHOULD NOT BE USED WITHOUT WRITTEN PERMISSION

EC NO: 116096 DRWN: TAKAIKE CHK'D: KOMURAKAMI APPR: TKANEKO	2017/04/24 2017/06/08 2017/06/12	GENERAL TOLERANCES (UNLESS SPECIFIED) ANGULAR TOL ± 3.0 ° 4 PLACES ± 0.2 3 PLACES ± 0.2 2 PLACES ± 0.2 1 PLACE ± 0.2 0 PLACES ± 0.2	DIMENSION UNITS: MM SCALE: NTS DRWN BY: TAKAIKE DATE: 2017/04/24 CHK'D BY: KOMURAKAMI DATE: 2017/06/08 APPR BY: TKANEKO DATE: 2017/06/12	<p>PICO-EZMATE SLIM 1.2 W/B EMBOSSED TAPE PKG</p> <p>PRODUCT CUSTOMER DRAWING</p> <p>SERIES: 202656 MATERIAL NUMBER: SEE CHART CUSTOMER: GENERAL</p> <p>DOCUMENT NUMBER: 2026560000 DOC TYPE: PSD DOC PART: 000 SHEET NUMBER: 1 OF 1</p>
	DRAFT WHERE APPLICABLE MUST REMAIN WITHIN DIMENSIONS	DRAWING SIZE: A3 THIRD ANGLE PROJECTION	DIMENSION UNITS: MM SCALE: NTS	
	RELEASED	TAKAIKE KOMURAKAMI TKANEKO	DATE: 2017/04/24 DATE: 2017/06/08 DATE: 2017/06/12	
	EC NO: 116096 DRWN: TAKAIKE CHK'D: KOMURAKAMI APPR: TKANEKO	TAKAIKE KOMURAKAMI TKANEKO	DATE: 2017/04/24 DATE: 2017/06/08 DATE: 2017/06/12	
	A	REV	DATE: 2015/12/14	

- 注記: 1. 材質 ハウジング: ポリアミド, UL94V-0, 色: 黒
 NOTE: MATERIALS HOUSING: PA, UL94V-0, COLOR:BLACK
 ターミナル: 銅合金/ネイル: 銅合金
 TERMINAL: COPPER ALLOY/ FITTING NAIL: COPPER ALLOY
 2. メッキ仕様 ターミナル: 金メッキ0.1μmMIN. ニッケル下地メッキ1.0μmMIN.
 FINISHES TERMINAL: Au 0.1μmMIN. WITH 1.0μmMIN. NICKEL UNDERPLATE OVERALL
 ネイル: 錫メッキ1.0μmMIN. ニッケル下地めっき1.0μmMIN.
 FITTING NAIL: MATTE TIN 1.0μmMIN. WITH 1.0μmMIN. NICKEL UNDERPLATE OVERALL
 3. 嵌合相手: 2026542021
 MATING WITH: 2026542021
 4. 梱包形態: エンボスリール梱包
 PACKING SPECIFICATION: EMBOSSED TAPE PKG
 5. 吸着推奨エリアを示す
 SHOWS VACUUM NOZZLE AREA
 6. ソルダータイルとネイルの平坦度: 0.1mmMAX.
 SOLDER TAIL AND FITTING NAIL COPLANARITY 0.1mmMAX.



嵌合状態図
 MATING FIGURE
 (SCALE 5:1)

2	2026560021	20265600*1
CKT	PACKING FORM : EMBOSSED TAPE	MODEL No.
	ORDER No.	

THIS DRAWING CONTAINS INFORMATION THAT IS PROPRIETARY TO MOLEX ELECTRONIC TECHNOLOGIES, LLC AND SHOULD NOT BE USED WITHOUT WRITTEN PERMISSION

EC NO: 116096 DRWN: TAKAIKE CHK'D: KOMURAKAMI APPR: TKANEKO	2017/01/25 2017/06/08 2017/06/12	GENERAL TOLERANCES (UNLESS SPECIFIED) ANGULAR TOL ± 3.0 °	DIMENSION UNITS: MM SCALE: 10:1	
	4 PLACES ± 0.2 3 PLACES ± 0.2 2 PLACES ± 0.2 1 PLACE ± 0.2 0 PLACES ± 0.2	DRWN BY: TAKAIKE DATE: 2017/01/25	PRODUCT CUSTOMER DRAWING	
	DRAFT WHERE APPLICABLE MUST REMAIN WITHIN DIMENSIONS	CHK'D BY: KOMURAKAMI DATE: 2017/06/08	SERIES: 202656 MATERIAL NUMBER: [blank] CUSTOMER: GENERAL	
	A3 THIRD ANGLE PROJECTION	APPR BY: TKANEKO DATE: 2017/06/12	DOCUMENT NUMBER: 2026560001 DOC TYPE: PSD DOC PART: 000 SHEET NUMBER: 1 OF 1	
	RELEASED	EC NO: 116096 DRWN: TAKAIKE CHK'D: KOMURAKAMI APPR: TKANEKO	DIMENSION UNITS: MM SCALE: 10:1	